

MAL501 series

AIR UNIT (L.UNIT)



Technical data



User manual



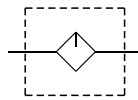
Caution for safety
(Read before installing)



Specification

Model	MAL501	
Bore No.	20A	25A
Port size	3/4	1
Medium	Air	
Operating pressure range	PC, Nylon bowl: 0.05~1 MPa	
	Metal bowl: 0.05~1.5 MPa	
Proof pressure	PC, Nylon bowl: 1.5 MPa	
	Metal bowl: 2 MPa	
Ambient temperature	- 5~+60°C (No freezing)	
Lubricating oil capacity	200 cm ³	
Min. Flow for oil drip	25 ℓ/min	33 ℓ/min
Recommended lubricating oil	Turbine oil ISO-VG32	
Optional attachment	L type bracket	
Weight	PC, Nylon bowl: 1260 g	
	Metal bowl: 1380 g	

Symbol



Order example

MAL501 - 20A - □ - □ - B - □

MODEL

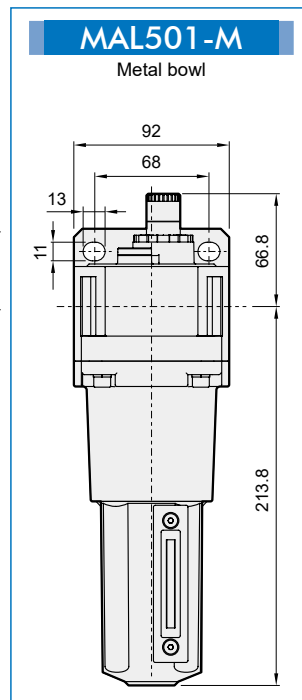
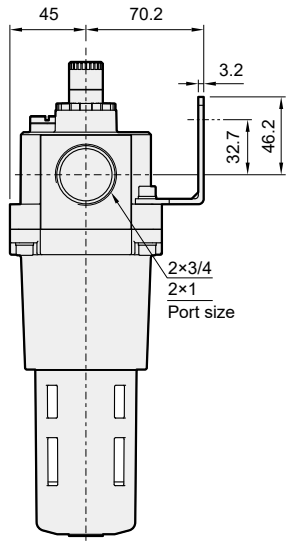
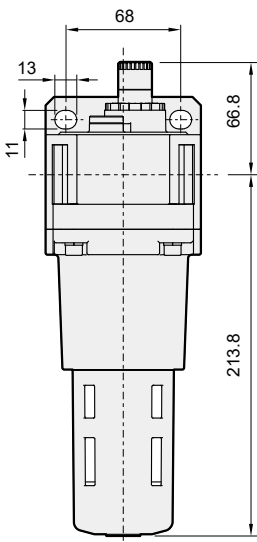
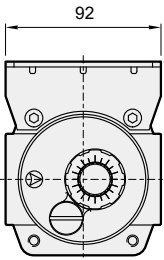
PORT SIZE
20A: 3/4
25A: 1

BOWL
Blank: PC bowl
N: Nylon bowl
M: Metal bowl

FLOW DIRECTION
Blank: Left to right
R: Right to left

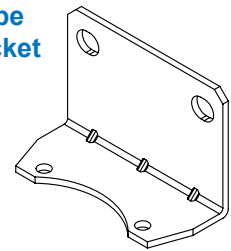
BRACKET
Blank: without
B: L type bracket

PORT THREAD
Blank: Rc thread
G: G thread
NPT: NPT thread



Optional

L type bracket



Flow feature

