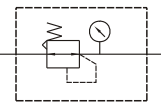


# MAR410 series Stainless steel #316 type

AIR UNITS (R. UNIT)



## Symbol



## Specification

Model	MAR410		
Bore No.	10A	15A	20A
Port size	3/8	1/2	3/4
Medium	Air		
Max. operating pressure	1 MPa		
Proof pressure	1.5 MPa		
Regulated pressure range	0.05~0.85 MPa		
Ambient temperature	-5~+60°C (No freezing)		
Attachment	Pressure gauge		
Weight	1930 g		

## Order example

MAR410 – 15A – □

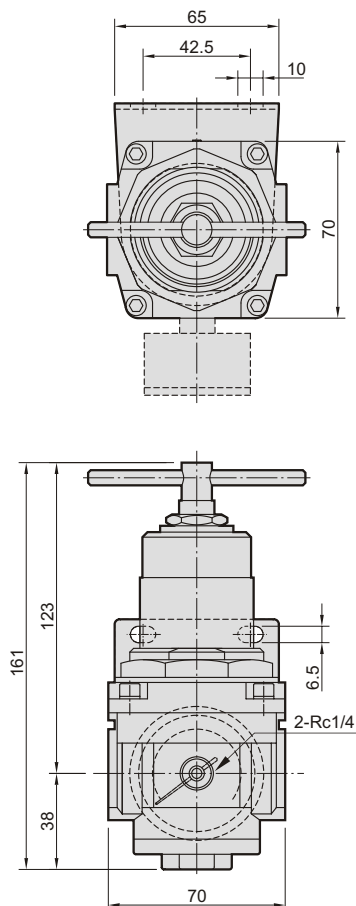
MODEL

BORE SIZE

10A: 3/8  
15A: 1/2  
20A: 3/4

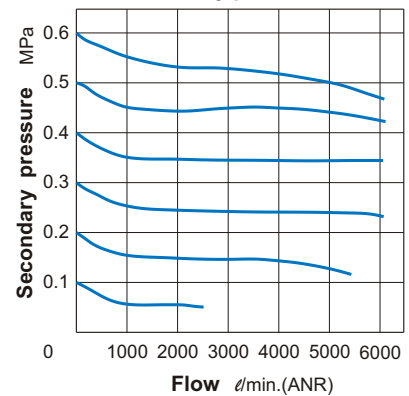
PORT THREAD

Blank: Rc thread  
G: G thread  
NPT: NPT thread



## Flow feature

15A Primary pressure 0.7 MPa



20A Primary pressure 0.7 MPa

