



Features

- Three double acting pneumatic cylinder design for high power transmission and increase stroke also decrease housing thickness for space-saving design.
- Direct drive synchronized via cam disc for self-centering and high repeatability.
- Through center hole for workpiece feed.
- The housing: high-tensile aluminum and special hard-coated.
- Auto switch with indicator lamp.

Specification

Model	MCHK			
Acting type	Double acting			
Opening / Closing stroke (mm) (dia)	20	32	50	
Cylinder bore (mm)	Open	ø16×3	ø25×3	ø40×3
	Close	ø20×3	ø32×3	ø50×3
Medium	Air			
Operating pressure range	0.3~0.7 MPa			
Ambient temperature	+5~+60°C			
Repeatability	± 0.01 mm			
Lubrication	Not required			
Sensor switch (*)	RK: Reed switch, RKN: NPN, RKP: PNP			
Weight (kg)	0.7	1.9	5.8	

Order example

MCHK – 20

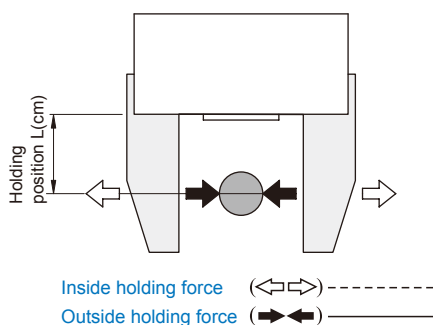
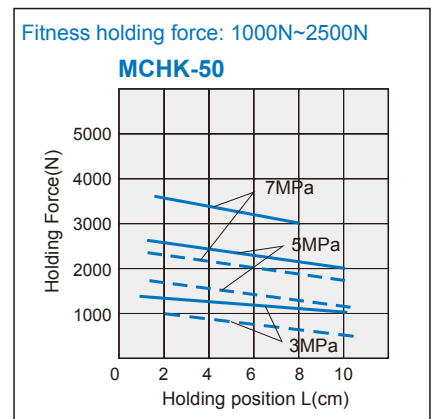
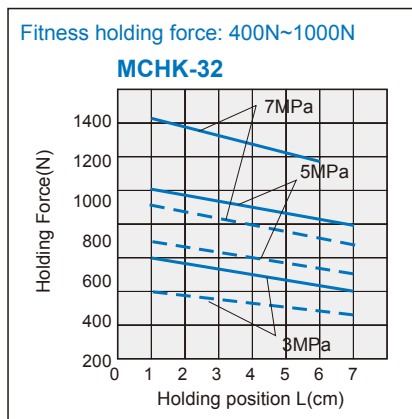
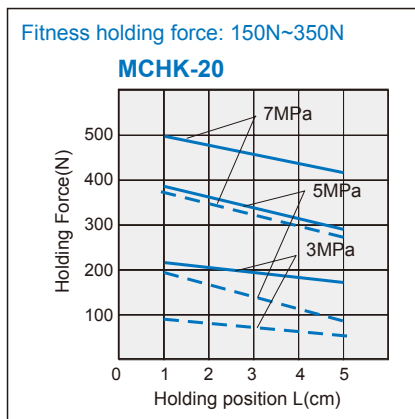
MODEL

STROKE

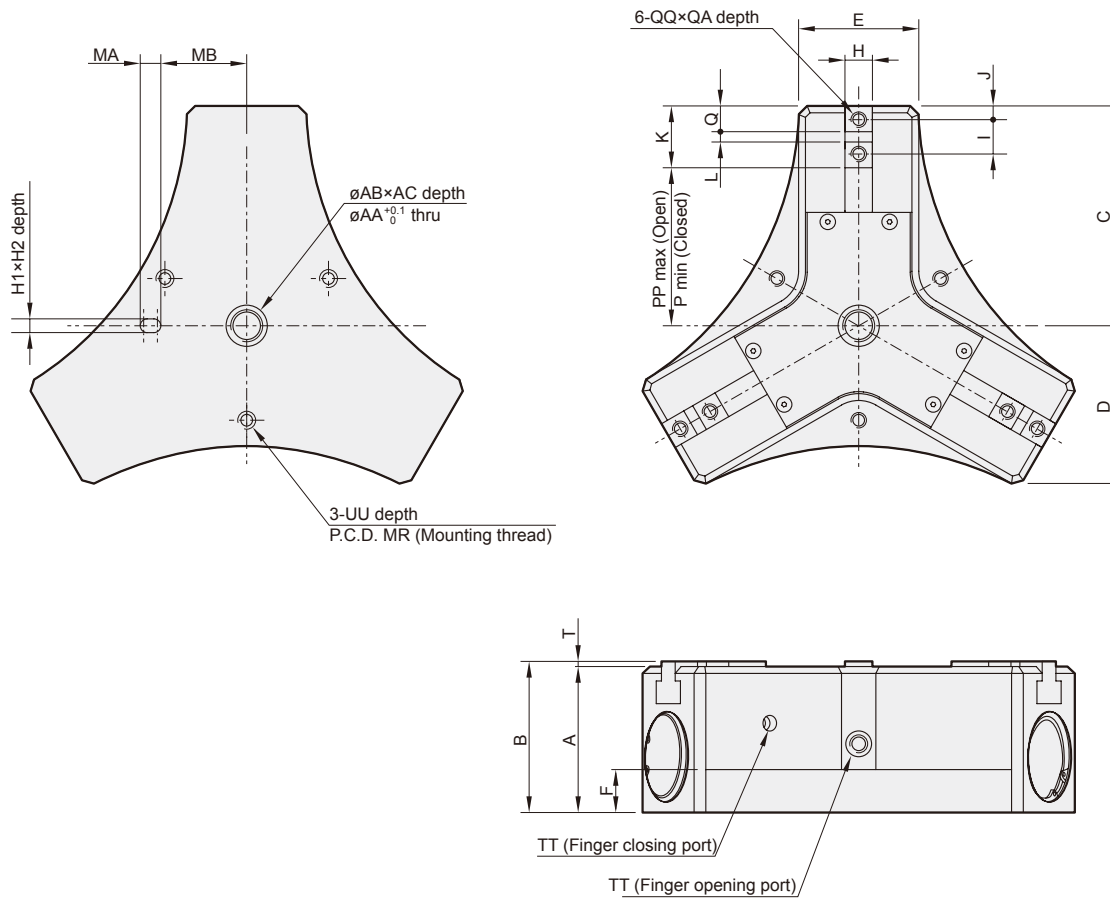
20
32
50

* RK specification, please refer to page 5-13.

Effective holding force



- * With reference to the holding force, under the condition must be considered.
- * Condition: Friction coefficient, great acceleration impact is expected during workplace rotate.
- * It recommended: Select a type of arithmetic holding force that can produce 10 to 20 times for workpiece weight.



Code Model	A	AA	AB	AC	B	C	D	E	F	H	H1	H2	I	J	K	L	MA	MB	MR	P	PP	Q	QA
MCHK-20	39.5	8	$8^{+0.03}_0$	1.5	42.5	58	43.9	38	9	$8^{+0}_{-0.015}$	$4^{+0.03}_0$	4	12	4.5	21	$3^{+0.03}_0$	5	27.5	60	27	37	9	8
MCHK-32	56	12	$12^{+0.03}_0$	2.5	59	83.5	62	52	12	$12^{+0}_{-0.018}$	$5^{+0.03}_0$	5	16	5.5	27	$5^{+0.03}_0$	6	36	78	38.3	54.3	11	12
MCHK-50	85	16	$24^{+0.05}_0$	5	88	128	91	70	15	$16^{+0}_{-0.018}$	$8^{+0.03}_0$	5	20	8	36	$6^{+0.03}_0$	10	50	110	67	92	15	16

Code Model	QQ	T	TT	UU
MCHK-20	M5×0.8	3	M5×0.8	M6×1.0
MCHK-32	M6×1.0	3	M5×0.8	M8×1.25
MCHK-50	M8×1.25	3	Rc1/8	M8×1.25