

MCRD series

ROTARY ACTUATOR



Mindman



Specification:

MCRD-63,100 in development

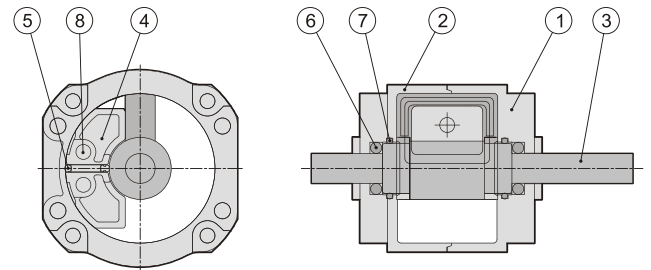
Model	MCRD			
Acting type	Double acting			
Tube I.D. (mm)	φ 50	φ 63	φ 80	φ 100
Cylinder shaft diameter (mm)	φ 12	φ 15	φ 17	φ 25
Torque (N.m)	5	10	18	35
Port size	Rc 1/8		Rc 1/4	
Medium	Air			
Operating pressure range	1.5~7 kgf/cm ²			
Rotary angle	90° ,180° ,270°			
Ambient temperature	0~+50℃			
Allowable kinetic energy (J)	0.082	0.12	0.39	0.6
Weight (g)	67.3	116.3	195	356.4

Order example:

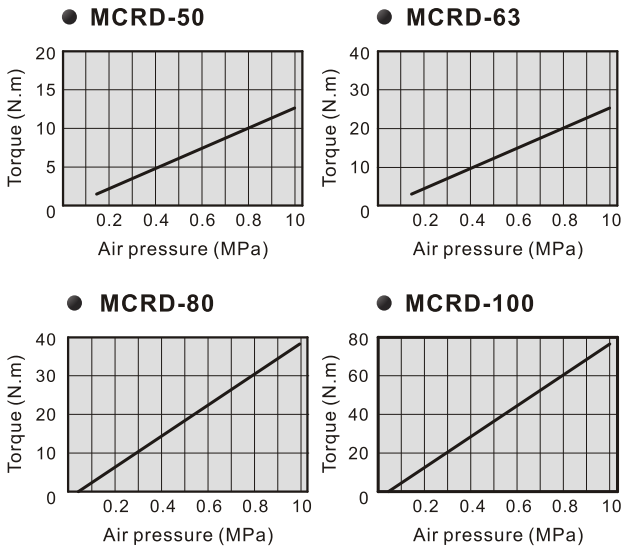
MCRD - 50 - 180

MODEL	TUBE I.D.		ROTARY ANGLE	
	Tube I.D.	Torque	Code	Rotary angle
	50	5 N.m	90	90 °
	63	10 N.m	180	180 °
	80	18 N.m	270	270 °
	100	35 N.m		

Inside structure & Parts list:



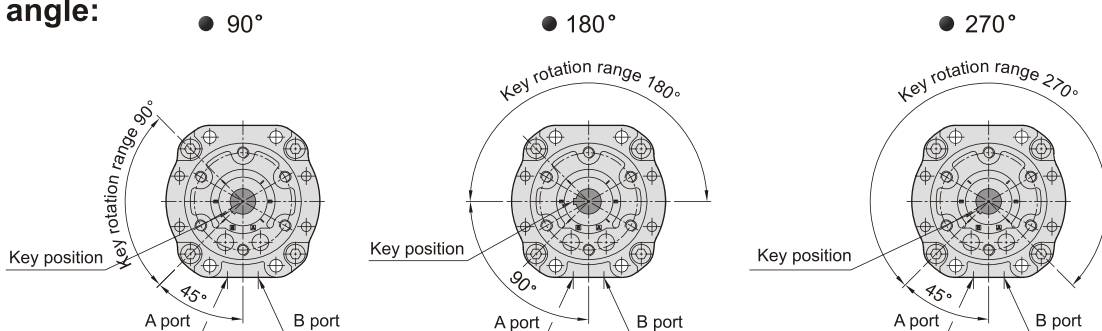
Torque diagram:



Material

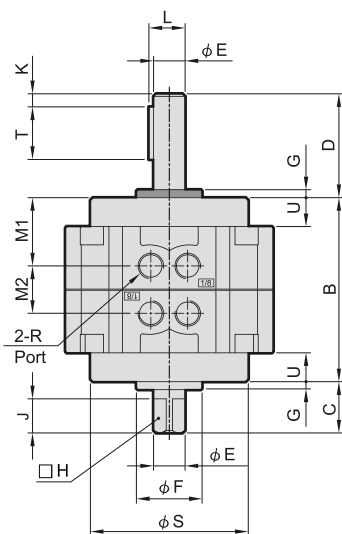
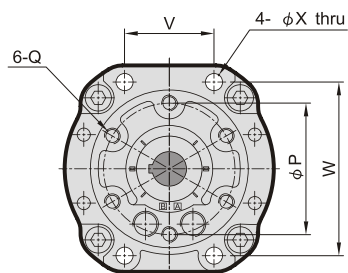
No.	Part name	Material
1	Rod cover	Aluminum alloy
2	Head cover	Aluminum alloy
3	Vane shaft	SCM
4	Stopper	Aluminum alloy
5	Stopper seal	NBR
6	Bearing	Bearing steel
7	O-ring	NBR

Rotary angle:

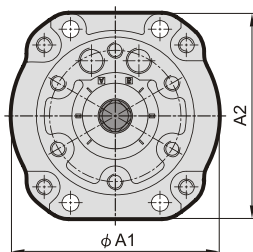
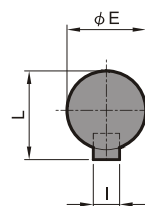


MCRD Dimensions $\phi 50 \sim \phi 100$

ROTARY ACTUATOR



Key dimensions for long shaft



Code Tube I.D.	A1	A2	B	C	D	E	F	G	H	I	J	K	L	M1	M2	P	Q	R	S	T	U	V	W	X
50	79	78	70	19.5	39.5	12	25	3	10	4	13	5	13.5	26	18	50	M6×1.0	Rc1/8	60	20	11	34	66	6.5
63	98	98	80	21	45	15	28	3	12	5	14	5	17	28.9	22.2	60	M8×1.25	Rc1/8	75	25	14	39	83	6.5
80	110	110	90	23.5	53.5	17	30	3	13	5	16	5	19	30	30	70	M8×1.25	Rc1/4	88	36	15	48	94	9
100	140	140	103	30	65	25	45	4	19	7	22	5	28	35.4	32.2	80	M10×1.5	Rc1/4	108	40	11.5	60	120	11

Mounting style:

