

MCT series

3/2 WAY N.C. PLUNGER TYPE SOLENOID VALVE



Selection table



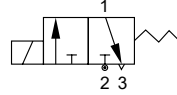
Seal material



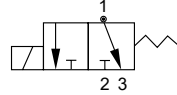
Caution for safety
(Read before installing)



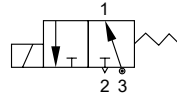
3/2 Function 1



3/2 Function 2



3/2 Function 3



Specification

- IP65 waterproof coil.
- Continuous cycle, 100% ED
- Ex coil is EExm II T4 or EEx ia II C T6 PTB approval.
- Ambient temp.: -15~50°C (No freezing)
- Voltage tolerance: ±8%
- Installing position is free. (You'd better put the coil upright)
- Opening: 20~60 ms
Closing: 40~120 ms

Order example

MCT - 06 - 2 - J - U - 5 - D - AC110 - □

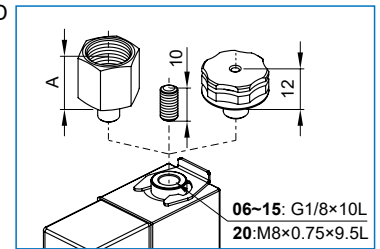
MODEL	FIG.	SEAL MAT'L	EXHAUST ACCESSORIES	PLUG	PORT THREAD												
CODE	A, 0, 1, 2, 3, 4, 5, 6,	N: NBR J: EPDM V: Viton Z: FFKM	<table border="1"> <tr><td>U</td><td>—</td><td>Without</td></tr> <tr><td>F</td><td></td><td>PS female</td></tr> <tr><td>C</td><td></td><td>Dust-proof & silencer cap</td></tr> <tr><td>P</td><td></td><td>1/8 inch PS male</td></tr> </table>	U	—	Without	F		PS female	C		Dust-proof & silencer cap	P		1/8 inch PS male	Blank: DIN D: LED G: 1/2" NPT	Blank: Rc thread G: G thread NPT: NPT thread
U	—	Without															
F		PS female															
C		Dust-proof & silencer cap															
P		1/8 inch PS male															
	06: 1/4" 10: 3/8" 15: 1/2" 20: 3/4"			COIL	VOLTAGE												
				4: #4 5: Bigger 3E: Explosion-Proof (*)	AC220V(50/60)Hz AC110V(50/60)Hz DC24V												

* Explosion-Proof (3E) coil with LED (D) plug is not applicable.

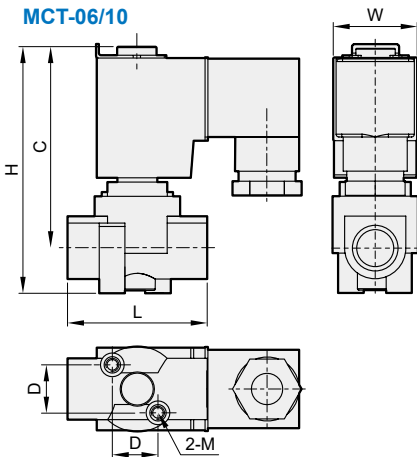
Power consumption

Coil power	4	5	3E
AC (VA)	19.5	23	9.2
DC (W)	15	18.5	10

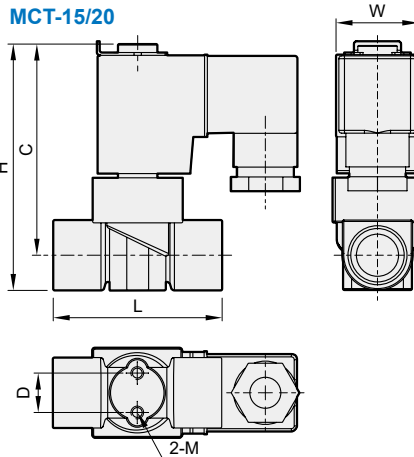
Exhaust accessories



MCT-06/10



MCT-15/20



Dimensions

Code Dimension (mm)	06	10	15	20
A	21	23	—	—
C	71	74	—	—
D	20	21	14	—
H	86	88	91	—
L	49	56	60	—
M	M5			M4
W	4	31	32	—
	5, 3E	36		
N.W (kg)	4	0.43	0.41	0.55
	5	0.51	0.49	0.63
	3E	0.76	0.74	0.76
	—	0.88	—	—

Model MCT: Forged brass body, Available fluid: water, air, gas, vacuum, light oil (50 mm²/s down) etc. 3/2 way N.C.

Code (Port)	Fig. no.	Seal mat'l	Coil	Orifice mm		Temp. °C						Working pressure 0 ~ bar						CV	VAC. torr			
				Body	Tube	Coil 4, 3E			Coil 5			Coil 4			Coil 5					Coil 3E		
						N	J V	Z	N	J V	Z	1	2	3	1	2	3			1	2	3
				AC/DC, Function																		
06(1/4) 10(3/8) 15(1/2) 20(3/4)	A	N J V Z	4 5 3E	1.0	1.6	-5	-10	-20	-5	-10	-20	1	2	3	1	2	3	1	2	3	0.02	10 ⁻²
	0			12								10	3	16	12	11	10	3	0.02			
	1			9								10	3	12	12	8	10	3	0.05			
	2			7								10	2	8.5	12	6	10	2	0.10			
	3			5.5								8	2	7	10	5	8	2	0.15			
	4			4								6.5	1	5.5	8	3	6.5	1	0.20			
5	2.5	4.5	1	4	5.5	2	4.5	1	0.31	10 ⁻¹												
6	1.5	4.5	1	2.5	5.5	1.5	4.5	1	0.51													
—	0.8	4.5	1	1.5	5.5	0.8	4.5	1	0.65													