

# MEQYC-50 series

## ROD ELECTRIC CYLINDER - BALL SCREW DRIVE (WITH MOTOR)



### Specification

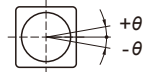
Model	MEQYC-50	
Repeatability (mm)	±0.01	
Ball screw lead (mm)	5	10
Maximum speed (mm/s) *1	250	500
Maximum payload	Horizontal (kg)	30
	Vertical (kg)	15
Rated thrust (N)	565	283
Stroke / pitch (mm) *2	50~300 / 50 Pitch	
Motor dimension (mm)	□42	
Ball screw spec (mm)	C7Ø12	
Anti-rotating accuracy (θ)*3	±1°	

\*1. The maximum speed shown here is when software speed setting is 100%.

\*2. When the stroke is over 200mm, the run-out of the ball screw will occur. We recommend to low down the working speed under this circumstances.

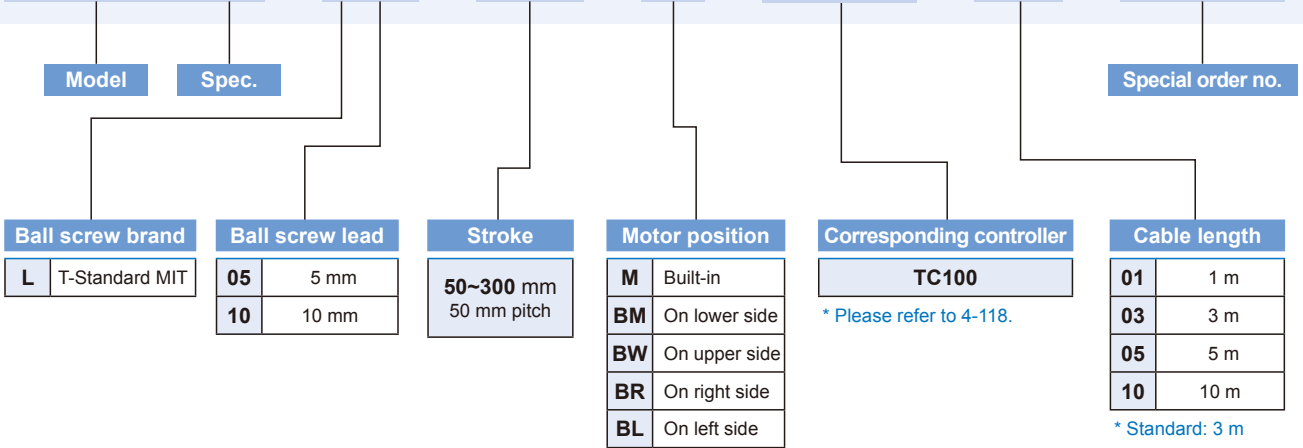
\*3. Avoid using the electric actuator in such a way that rotational torque would be applied to the piston rod. This may cause deformation of the anti-rotating guide, abnormal responses of the auto switch, play in the internal guide or an increase in the sliding resistance.

Anti-rotating accuracy of rod



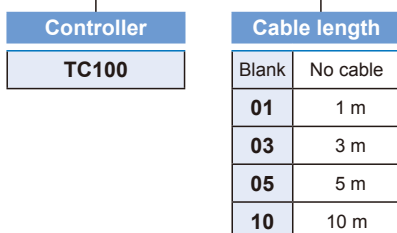
### Order example of cylinder

**MEQYC-50 - L05 - 100 - M - TC100 - 03 - A0001**

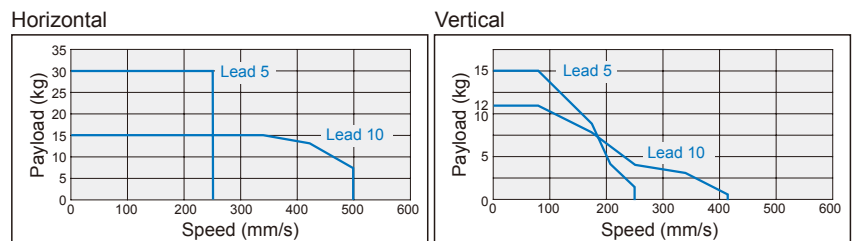


### Order example of controller

**TC100 - 03**



### Speed-payload curve diagram

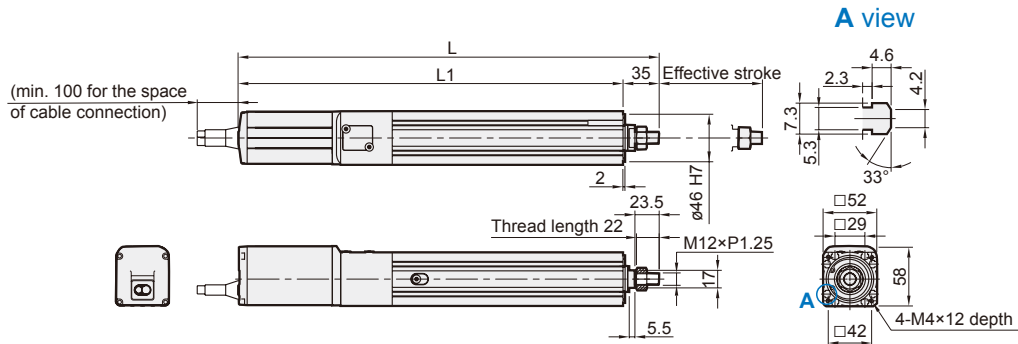


# MEQYC-50 Dimensions

## ROD ELECTRIC CYLINDER - BALL SCREW DRIVE (WITH MOTOR)



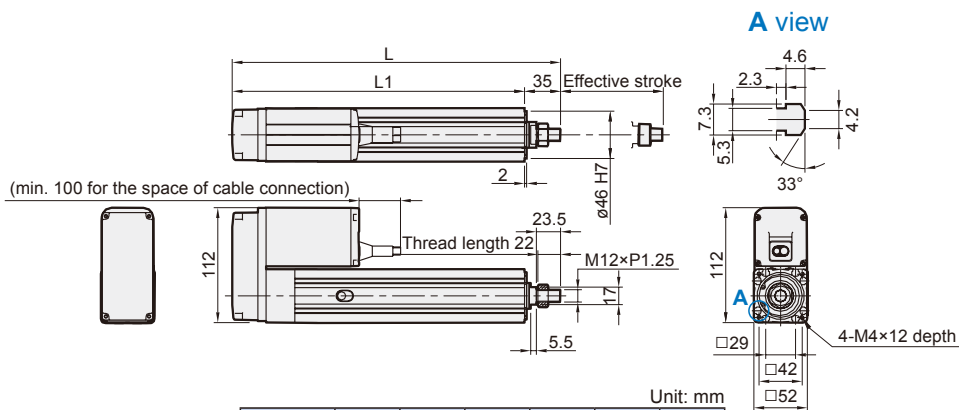
### M Motor built-in



Unit: mm

Stroke	50	100	150	200	250	300
<b>L</b>	358	408	458	508	558	608
<b>L1</b>	323	373	423	473	523	573
<b>KG</b>	2.62	2.88	3.14	3.4	3.67	3.84

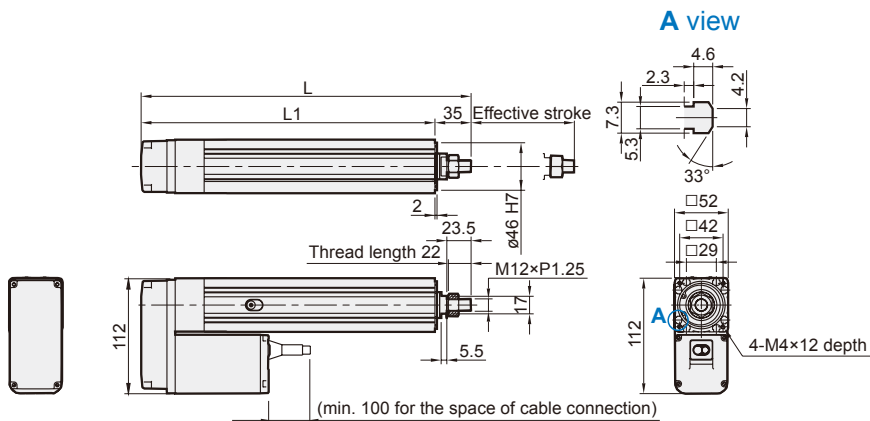
### BW Motor on upper side



Unit: mm

Stroke	50	100	150	200	250	300
<b>L</b>	260	310	360	410	460	510
<b>L1</b>	225	275	325	375	425	475
<b>KG</b>	3.62	3.88	4.14	4.4	4.67	4.84

### BM Motor on lower side



Unit: mm

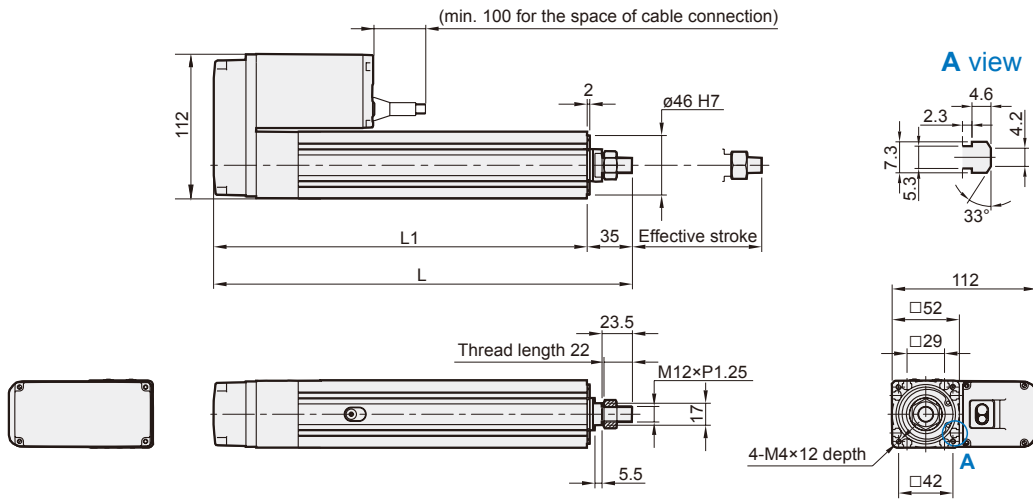
Stroke	50	100	150	200	250	300
<b>L</b>	260	310	360	410	460	510
<b>L1</b>	225	275	325	375	425	475
<b>KG</b>	3.62	3.88	4.14	4.4	4.67	4.84

# MEQYC-50 Dimensions

## ROD ELECTRIC CYLINDER - BALL SCREW DRIVE (WITH MOTOR)



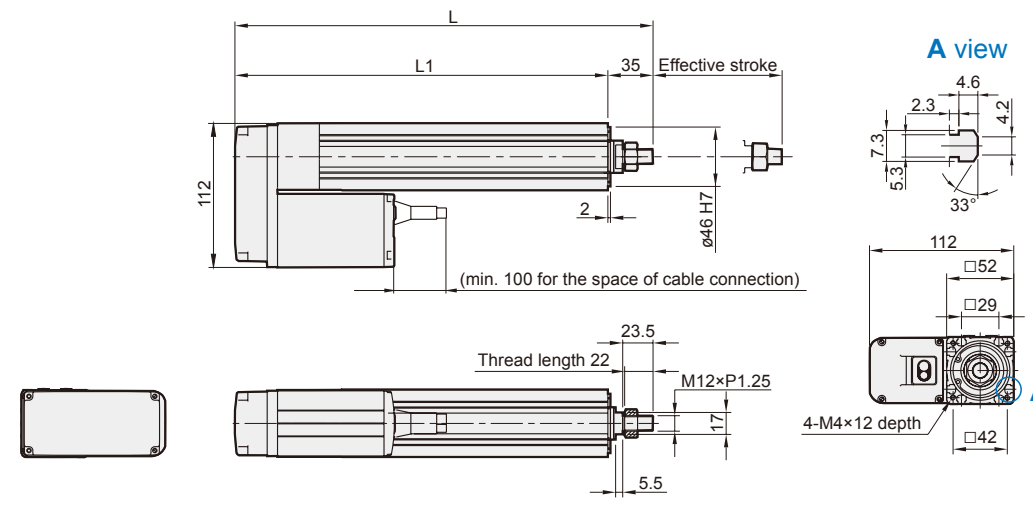
**BR**  
Motor on right side



Unit: mm

Stroke	50	100	150	200	250	300
<b>L</b>	260	310	360	410	460	510
<b>L1</b>	225	275	325	375	425	475
<b>KG</b>	3.62	3.88	4.14	4.4	4.67	4.84

**BL**  
Motor on left side



Unit: mm

Stroke	50	100	150	200	250	300
<b>L</b>	260	310	360	410	460	510
<b>L1</b>	225	275	325	375	425	475
<b>KG</b>	3.62	3.88	4.14	4.4	4.67	4.84