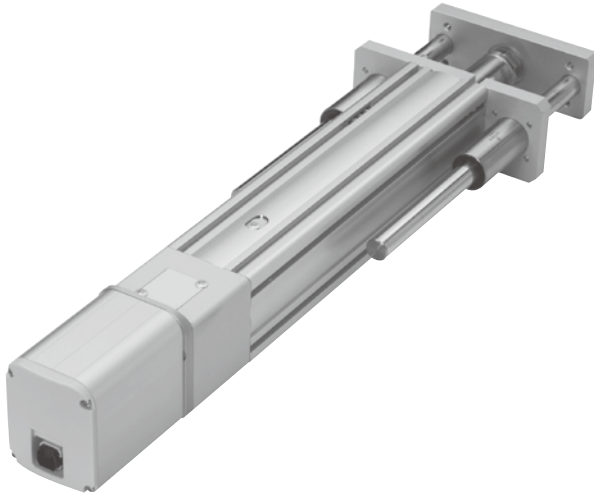


MEQYC-65D series

ROD ELECTRIC CYLINDER - BALL SCREW DRIVE (WITH MOTOR)



Specification

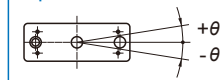
| Model | MEQYC-65D | | | |
|---------------------------------|-------------------|-----|------|----|
| Repeatability (mm) | ±0.01 | | | |
| Ball screw lead (mm) | 5 | 10 | 20 | |
| Maximum speed (mm/s) (*1) | 250 | 500 | 1000 | |
| Maximum payload | Horizontal (kg) | 110 | 88 | 40 |
| | Vertical (kg) | 30 | 20 | 10 |
| Rated thrust (N) | 791 | 395 | 197 | |
| Stroke / pitch (mm) (*2) | 50~500 / 50 Pitch | | | |
| Motor dimension (mm) | □56 | | | |
| Ball screw spec (mm) | C7ø16 | | | |
| Anti-rotating accuracy (θ) (*3) | ±0.05° | | | |

*1. The maximum speed shown here is when software speed setting is 100%.

*2. When the stroke is over 300mm, the run-out of the ball screw will occur.

We recommend to low down the working speed under this circumstances.

*3. Anti-rotating accuracy of plate



Order example of cylinder

MEQYC-65D - L05 - 100 - M - TC100 - 03 - A0001

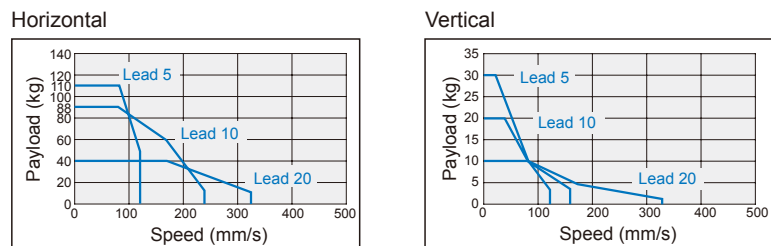
| | | | | | |
|-------------------------|---------------------------------|--------------------------|--|-----------------------------------|--|
| Model | Spec. | | | | Special order no. |
| Ball screw brand | Ball screw lead | Stroke | Motor position | Corresponding controller | Cable length |
| L T-Standard MIT | 05 5 mm 10 10 mm 20 20 mm | 50~500 mm 50 mm pitch | M Built-in BM On lower side BW On upper side | TC100 * Please refer to 4-118. | 01 1 m 03 3 m 05 5 m 10 10 m * Standard: 3 m |

Order example of controller

TC100 - 03

| | |
|-------------------|--|
| Controller | Cable length |
| TC100 | Blank No cable 01 1 m 03 3 m 05 5 m 10 10 m * Standard: 3 m |

Speed-payload curve diagram

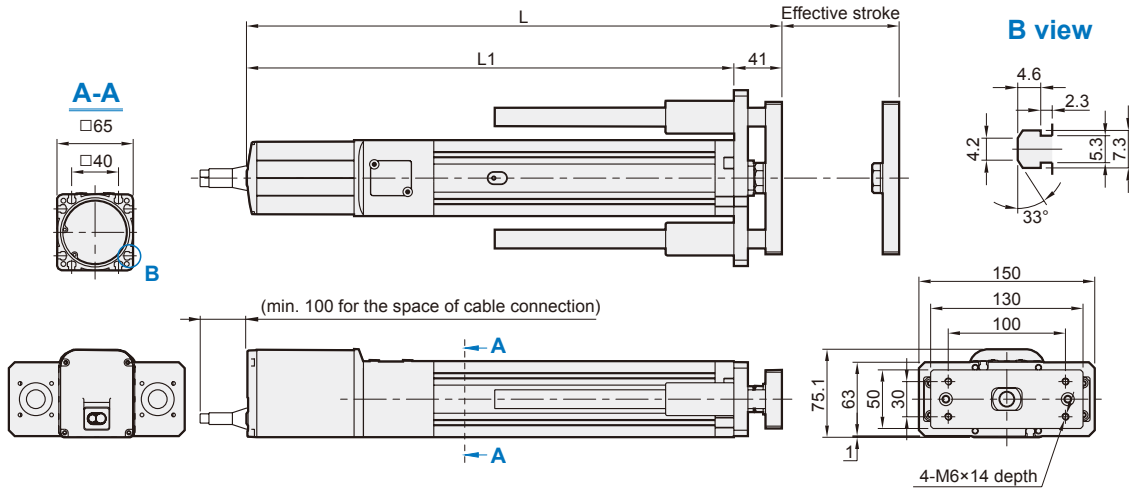


MEQYC-65D Dimensions

ROD ELECTRIC CYLINDER - BALL SCREW DRIVE (WITH MOTOR)



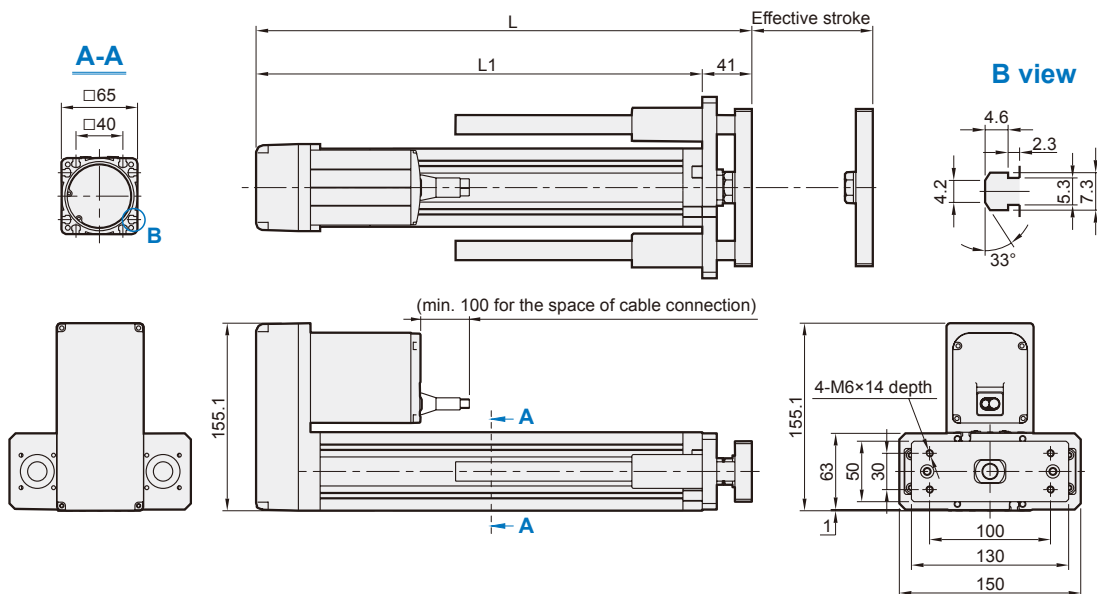
M
Motor
built-in



Unit: mm

| Stroke | 50 | 100 | 150 | 200 | 250 | 300 | 350 | 400 | 450 | 500 |
|-----------|-----|------|------|------|------|------|------|------|------|------|
| L | 405 | 455 | 505 | 555 | 605 | 655 | 705 | 755 | 805 | 855 |
| L1 | 364 | 414 | 464 | 514 | 564 | 614 | 664 | 714 | 764 | 814 |
| KG | 6 | 6.26 | 6.52 | 6.78 | 7.03 | 7.29 | 7.55 | 7.81 | 8.07 | 8.32 |

BW
Motor on
upper side



Unit: mm

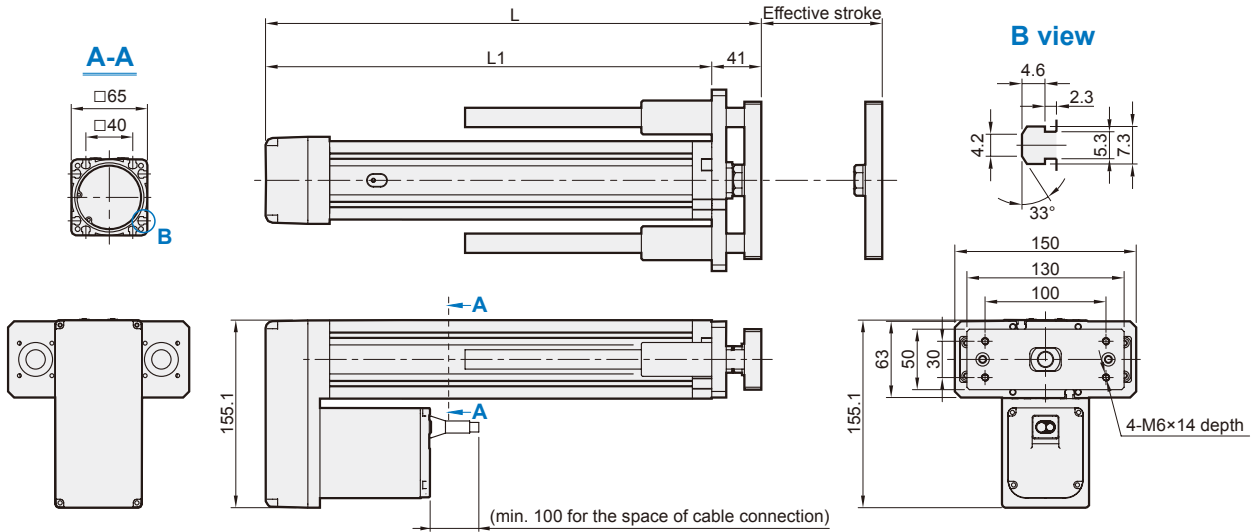
| Stroke | 50 | 100 | 150 | 200 | 250 | 300 | 350 | 400 | 450 | 500 |
|-----------|-----|------|------|------|------|------|------|------|------|------|
| L | 298 | 348 | 398 | 448 | 498 | 548 | 598 | 648 | 698 | 748 |
| L1 | 257 | 307 | 357 | 407 | 457 | 507 | 557 | 607 | 657 | 707 |
| KG | 6.5 | 6.76 | 7.02 | 7.28 | 7.53 | 7.79 | 8.05 | 8.31 | 8.57 | 8.82 |

MEQYC-65D Dimensions

ROD ELECTRIC CYLINDER - BALL SCREW DRIVE (WITH MOTOR)



BM
Motor on lower side



Unit: mm

| Stroke | 50 | 100 | 150 | 200 | 250 | 300 | 350 | 400 | 450 | 500 |
|-----------|-----|------|------|------|------|------|------|------|------|------|
| L | 298 | 348 | 398 | 448 | 498 | 548 | 598 | 648 | 698 | 748 |
| L1 | 257 | 307 | 357 | 407 | 457 | 507 | 557 | 607 | 657 | 707 |
| KG | 6.5 | 6.76 | 7.02 | 7.28 | 7.53 | 7.79 | 8.05 | 8.31 | 8.57 | 8.82 |