



Caution for safety
(Read before installing)



Features

- Compact body design keeps overall length to a minimum.
- Cylinder barrel internally honed to ensure smooth and consistent piston movement.
- High quality materials are used throughout construction.

Specification

Model	MHCB*							
Tube I.D. (mm)	20	25	32	40	50	63	80	
The range of stroke (mm)	30		50					
Medium	Filtered oil							
Material	Carbon steel							
Max. operating pressure	14 MPa							
Ambient temperature	-10~+60°C (No freezing)							

MHCBR	Front mounting (Axial front manifold type)	
MHCBF	Front mounting (Axial back manifold type)	
MHCBS	Side mounting (Manifold type)	
MHCBS-D	Side mounting (Double rod type) (Manifold type)	
MHCBS-DA MHCBS-DB	Adjustable forward stroke cylinder	

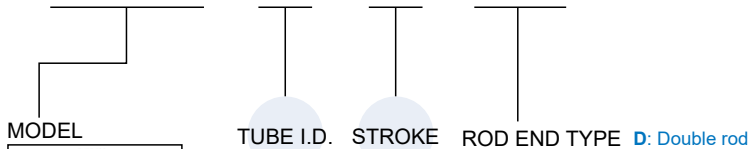
Standard stroke

● Standard products ○ Made to order

Type	Stroke Tube I.D.	5	10	15	20	25	30	35	40	45	50
MHCBR MHCBF	ø20	○	●	○	●	○	●	-	-	-	-
	ø25	○	●	○	●	○	●	-	-	-	-
	ø32	●	●	●	●	●	○	●	○	●	●
	ø40	●	●	●	●	●	●	○	●	○	●
	ø50	●	●	●	●	●	●	○	●	○	●
	ø63	●	●	●	●	●	●	○	●	○	●
MHCBS	ø32	○	●	○	●	○	●	○	●	○	●
	ø40	○	●	○	●	○	●	○	●	○	●
	ø50	○	●	○	●	○	●	○	●	○	●
	ø63	○	●	○	●	○	●	○	●	○	●

Order example

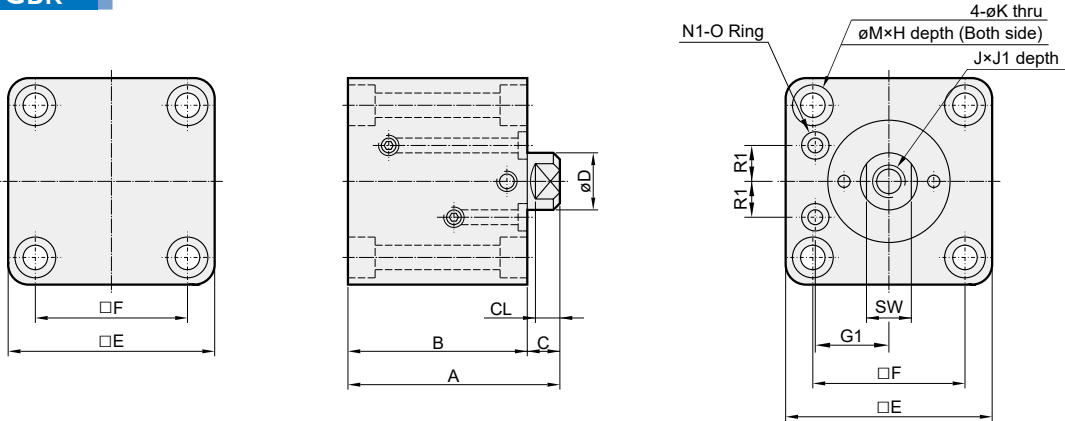
MHCBS — 50 — 30 — ZDA



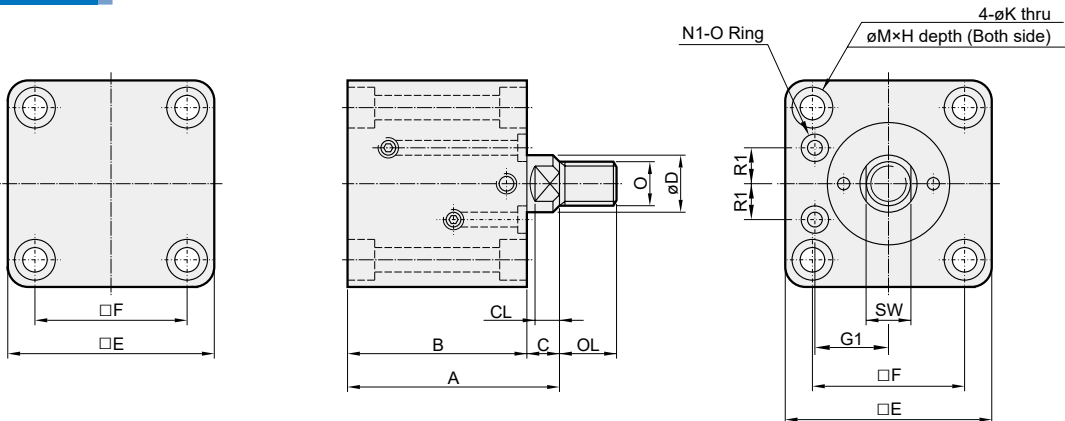
Blank		Single rod / Female thread	DA (*)		Double rod / Female thread / Adjustable stroke 25 mm
Z		Single rod / Male thread	DB (*)		Double rod / Female thread / Adjustable stroke 50 mm
D (*)		Double rod / Female thread	ZDA (*)		Double rod / Male thread / Adjustable stroke 25 mm
ZD (*)		Double rod / Male thread	ZDB (*)		Double rod / Male thread / Adjustable stroke 50 mm

* Only for MHCBS model.

MHCBR



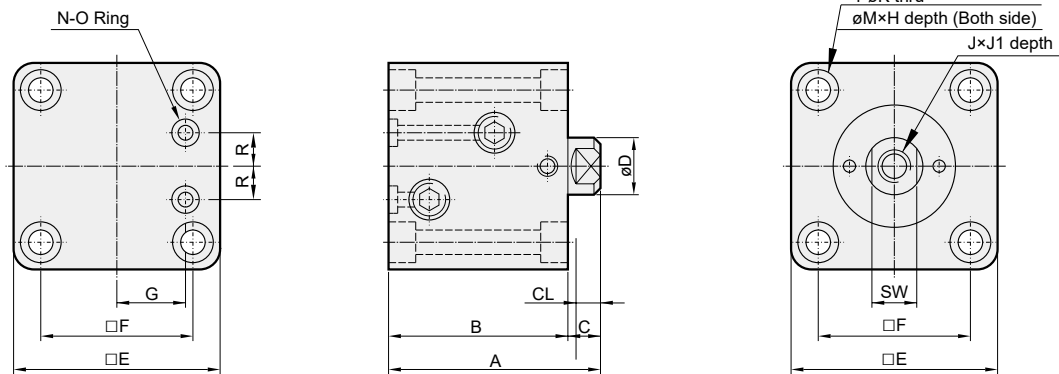
MHCBR-Z



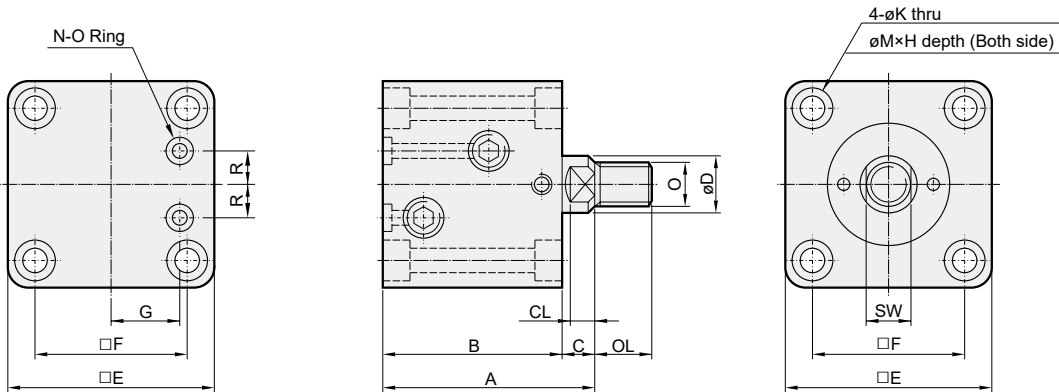
Tube I.D. (mm)	Type Stroke	MHCBR / MHCBR-Z									
		5	10	15	20	25	30	35	40	45	50
ø20	A	61	61	71	71	81	81	-	-	-	-
	B	53	53	63	63	73	73	-	-	-	-
ø25	A	63	63	73	73	83	83	-	-	-	-
	B	55	55	65	65	75	75	-	-	-	-
ø32	A	69	74	79	84	89	94	104	104	114	114
	B	59	64	69	74	79	84	94	94	104	104
ø40	A	70	75	80	85	90	95	105	105	115	115
	B	60	65	70	75	80	85	95	95	105	105
ø50	A	76	81	86	91	96	101	111	111	121	121
	B	65	70	75	80	85	90	100	100	110	110
ø63	A	85	90	95	100	105	110	120	120	130	130
	B	72	77	82	87	92	97	107	107	117	117
ø80	A	100	105	110	115	120	125	135	135	145	145
	B	83	88	93	98	103	108	118	118	128	128

Code Tube I.D.	C	CL	D	E	F	G1	H	J	J1	K	M	N1	O	OL	R1	SW
ø20	8	6	12	42	30	16.5	5.5	M8×1.25	12	5.6	9	P4	M10×1.25	20	6.5	10
ø25	8	6	14	48	36	19.5	5.5	M10×1.5	15	5.6	9	P4	M12×1.25	22	9	12
ø32	10	7	20	62	47	24	6.5	M12×1.75	15	6.6	11	P6	M16×1.5	25	12	17
ø40	10	7	25	70	52	27	9	M16×2.0	20	9	14	P6	M22×1.5	30	13	22
ø50	11	8	30	80	58	32	11	M20×2.5	25	11	18	P8	M26×1.5	35	13.5	27
ø63	13	10	35	94	69	38	13	M27×3.0	35	13	20	P8	M30×1.5	40	17.5	32
ø80	17	14	45	114	86	47	15	M30×3.5	35	15	22	P11	M39×1.5	45	22.5	41

MHCBF



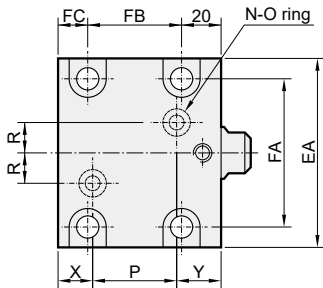
MHCBF-Z



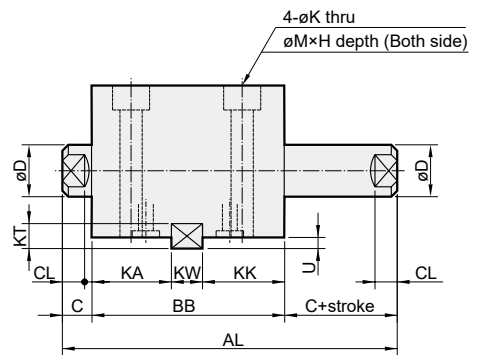
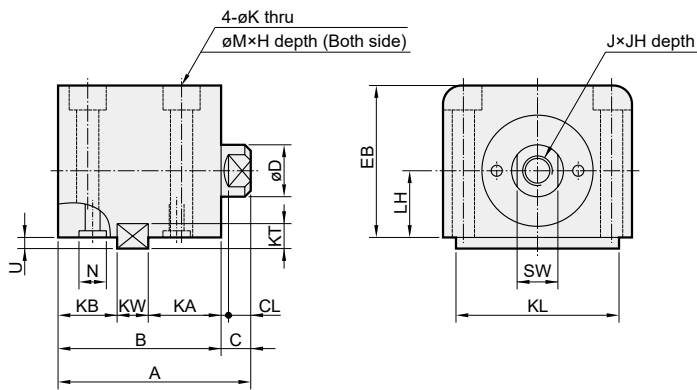
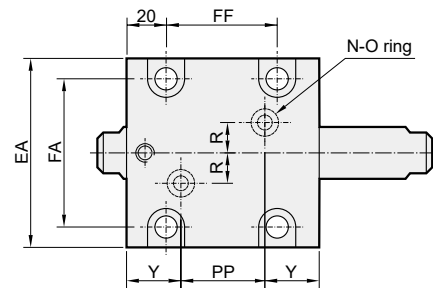
Tube I.D. (mm)	Type	MHCBF / MHCBF-Z									
		Stroke	5	10	15	20	25	30	35	40	45
ø20	A	61	61	71	71	81	81	-	-	-	-
	B	53	53	63	63	73	73	-	-	-	-
ø25	A	63	63	73	73	83	83	-	-	-	-
	B	55	55	65	65	75	75	-	-	-	-
ø32	A	69	74	79	84	89	94	104	104	114	114
	B	59	64	69	74	79	84	94	94	104	104
ø40	A	70	75	80	85	90	95	105	105	115	115
	B	60	65	70	75	80	85	95	95	105	105
ø50	A	76	81	86	91	96	101	111	111	121	121
	B	65	70	75	80	85	90	100	100	110	110
ø63	A	85	90	95	100	105	110	120	120	130	130
	B	72	77	82	87	92	97	107	107	117	117
ø80	A	100	105	110	115	120	125	135	135	145	145
	B	83	88	93	98	103	108	118	118	128	128

Code Tube I.D.	C	CL	D	E	F	G	H	J	J1	K	M	N	O	OL	R	SW
ø20	8	6	12	42	30	13	5.5	M8×1.25	12	5.6	9	P5	M10×1.25	20	5.5	10
ø25	8	6	14	48	36	15	5.5	M10×1.5	15	5.6	9	P7	M12×1.25	22	6.5	12
ø32	10	7	20	62	47	20	6.5	M12×1.75	15	6.6	11	P9	M16×1.5	25	10	17
ø40	10	7	25	70	52	24	9	M16×2.0	20	9	14	P9	M22×1.5	30	10	22
ø50	11	8	30	80	58	29	11	M20×2.5	25	11	18	P9	M26×1.5	35	10	27
ø63	13	10	35	94	69	35	13	M27×3.0	35	13	20	P11	M30×1.5	40	13	32
ø80	17	14	45	114	86	44	15	M30×3.5	35	15	22	P11	M39×1.5	45	15	41

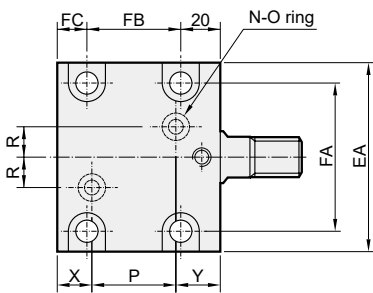
MHCBS



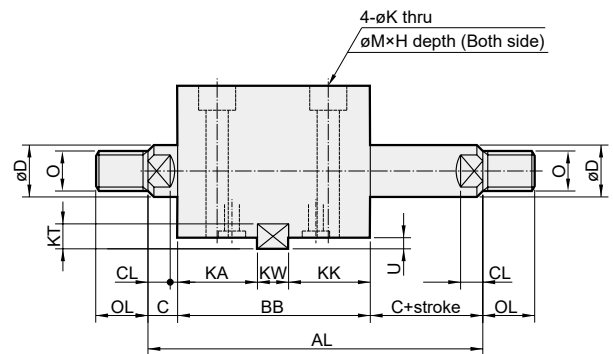
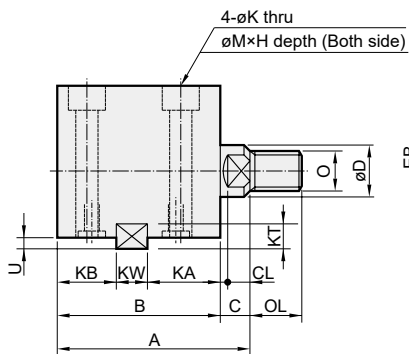
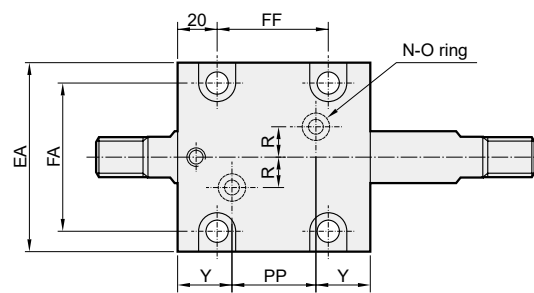
MHCBS-D



MHCBS-Z



MHCBS-ZD



Tube I.D. (mm)	Type	MHCBS / MHCBS-Z									
	Stroke	5	10	15	20	25	30	35	40	45	50
$\phi 32$	A	74	74	84	84	94	94	104	104	114	114
	B	64	64	74	74	84	84	94	94	104	104
	FB	34	34	44	44	54	54	64	64	74	74
	KB	—	—	24	24	34	34	44	44	54	54
	P	24	24	34	34	44	44	54	54	64	64
$\phi 40$	A	75	75	85	85	95	95	105	105	115	115
	B	65	65	75	75	85	85	95	95	105	105
	FB	33	33	43	43	53	53	63	63	73	73
	KB	—	—	25	25	35	35	45	45	55	55
$\phi 50$	A	81	81	91	91	101	101	111	111	121	121
	B	70	70	80	80	90	90	100	100	110	110
	FB	37	37	47	47	57	57	67	67	77	77
	KB	—	—	26	26	36	36	46	46	56	56
$\phi 63$	A	90	90	100	100	110	110	120	120	130	130
	B	77	77	87	87	97	97	107	107	117	117
	FB	42	42	52	52	62	62	72	72	82	82
	KB	—	—	29	29	39	39	49	49	59	59
	P	30	30	40	40	50	50	60	60	70	70

Tube I.D. (mm)	Type	MHCBS-D / MHCBS-ZD									
	Stroke	5	10	15	20	25	30	35	40	45	50
$\phi 32$	AL	104	109	124	129	144	149	164	169	184	189
	BB	79	79	89	89	99	99	109	109	119	119
	FF	42	42	52	52	62	62	72	72	82	82
	KK	—	—	39	39	49	49	59	59	69	69
	PP	23	23	33	33	43	43	53	53	63	63
$\phi 40$	AL	105	110	125	130	145	150	165	170	185	190
	BB	80	80	90	90	100	100	110	110	120	120
	FF	42	42	52	52	62	62	72	72	82	82
	KK	—	—	40	40	50	50	60	60	70	70
$\phi 50$	AL	112	117	132	137	152	157	172	177	192	197
	BB	85	85	95	95	105	105	115	115	125	125
	FF	45	45	55	55	65	65	75	75	85	85
	KK	—	—	41	41	51	51	61	61	71	71
$\phi 63$	AL	123	128	143	148	163	168	183	188	203	208
	BB	92	92	102	102	112	112	122	122	132	132
	FF	52	52	62	62	72	72	82	82	92	92
	KK	—	—	44	44	54	54	64	64	74	74
	PP	30	30	40	40	50	50	60	60	70	70

Code Tube I.D.	C	CL	D	EA	EB	FA	FC	H	J	JH	K	KA	KL	KT
$\phi 32$	10	7	20	70	56	56	10	9	M12×1.75	15	9	38	63	8
$\phi 40$	10	7	25	80	64	62	12	11	M16×2.0	20	11	38	70	8
$\phi 50$	11	8	30	94	74	74	13	13	M20×2.5	25	13	40	80	9
$\phi 63$	13	10	35	114	89	90	15	15	M27×3.0	35	15	42	100	10

Code Tube I.D.	KW	LH	M	N	O	OL	R	SW	U	X	Y
$\phi 32$	12	25	14	P9	M16×1.5	25	10	17	4.5	12	28
$\phi 40$	12	29	18	P9	M22×1.5	30	10	22	4.5	12	28
$\phi 50$	14	34	20	P11	M26×1.5	35	10	27	5	12.5	29.5
$\phi 63$	16	42	22	P11	M30×1.5	40	10	32	5.5	16	31

* Stroke: 5, 10mm without keyway.

MHCBS Dimensions – Adjustable stroke A $\phi 32\sim\phi 63$

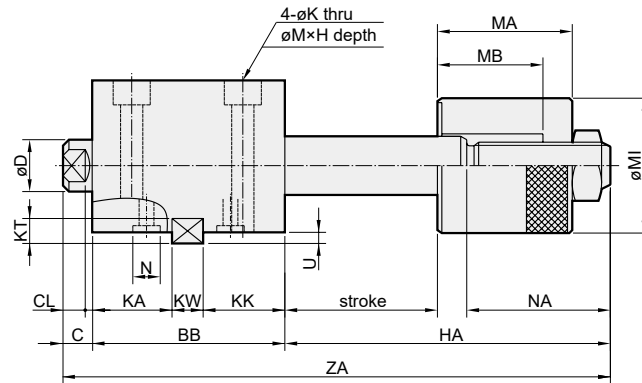
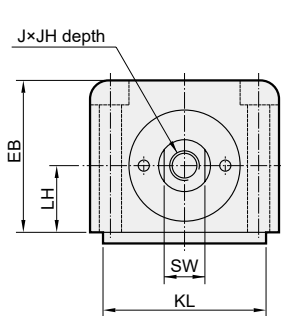
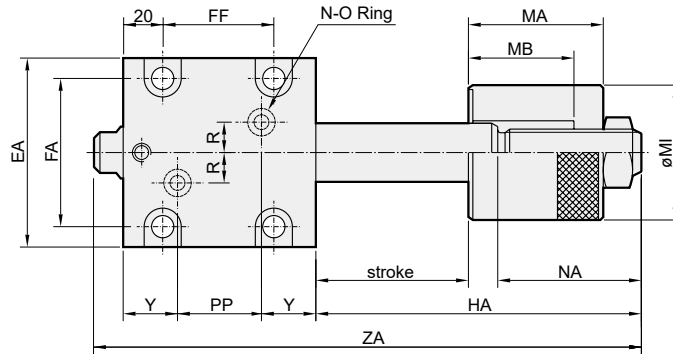


MANIFOLD TYPE HYDRAULIC CYLINDER

Mindman

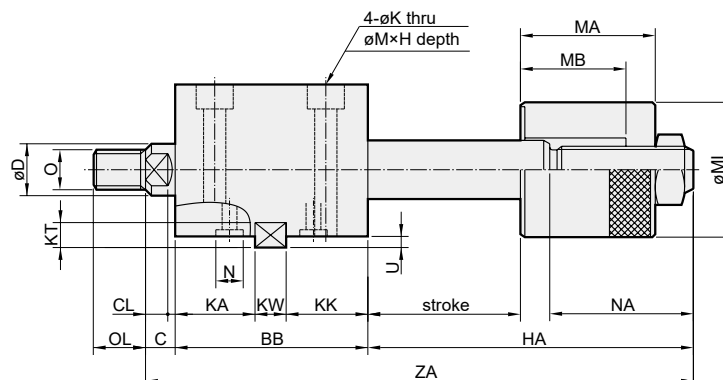
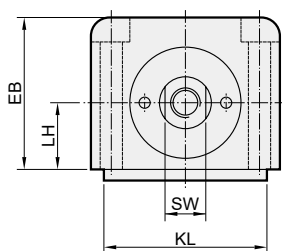
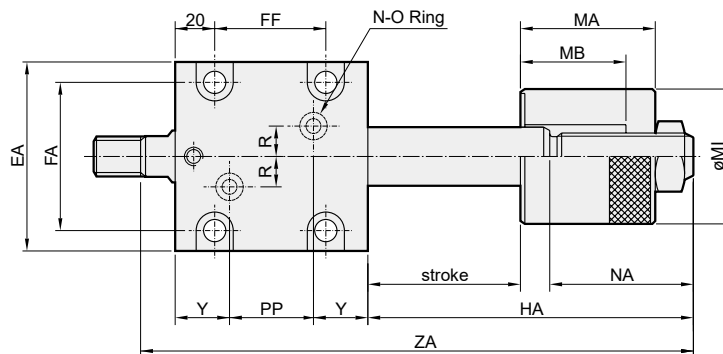
MHCBS-DA

Adjustable stroke 25 mm



MHCBS-ZDA

Adjustable stroke 25 mm



Tube I.D. (mm)	Type	MHCBS-DA / MHCBS-ZDA									
		Stroke	5	10	15	20	25	30	35	40	45
$\varnothing 32$	ZA	153	158	173	178	193	198	213	218	233	238
	BB	79	79	89	89	99	99	109	109	119	119
	FF	42	42	52	52	62	62	72	72	82	82
	KK	—	—	39	39	49	49	59	59	69	69
	PP	23	23	33	33	43	43	53	53	63	63
	HA	64	69	74	79	84	89	94	99	104	109
$\varnothing 40$	ZA	163	168	183	188	203	208	223	228	243	248
	BB	80	80	90	90	100	100	110	110	120	120
	FF	42	42	52	52	62	62	72	72	82	82
	KK	—	—	40	40	50	50	60	60	70	70
	PP	24	24	34	34	44	44	54	54	64	64
	HA	73	78	83	88	93	98	103	108	113	118
$\varnothing 50$	ZA	171	176	191	196	211	216	231	236	251	256
	BB	85	85	95	95	105	105	115	115	125	125
	FF	45	45	55	55	65	65	75	75	85	85
	KK	—	—	41	41	51	51	61	61	71	71
	PP	26	26	36	36	46	46	56	56	66	66
	HA	75	80	85	90	95	100	105	110	115	120
$\varnothing 63$	ZA	188	193	208	213	228	233	248	253	268	273
	BB	92	92	102	102	112	112	122	122	132	132
	FF	52	52	62	62	72	72	82	82	92	92
	KK	—	—	44	44	54	54	64	64	74	74
	PP	30	30	40	40	50	50	60	60	70	70
	HA	83	88	93	98	103	108	113	118	123	128

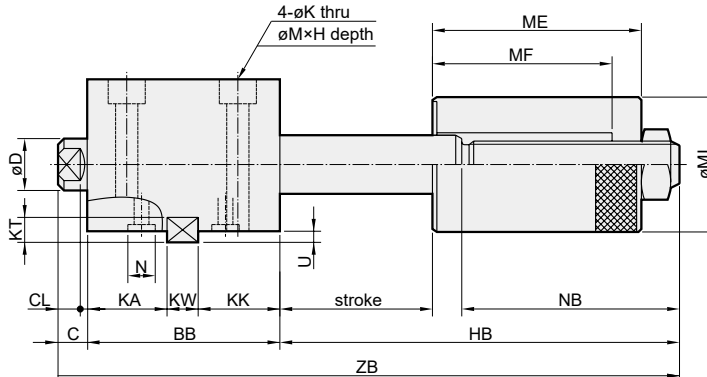
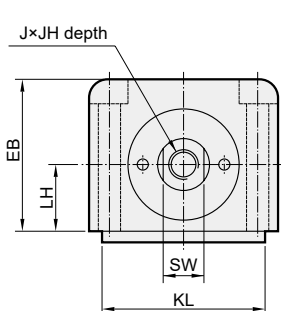
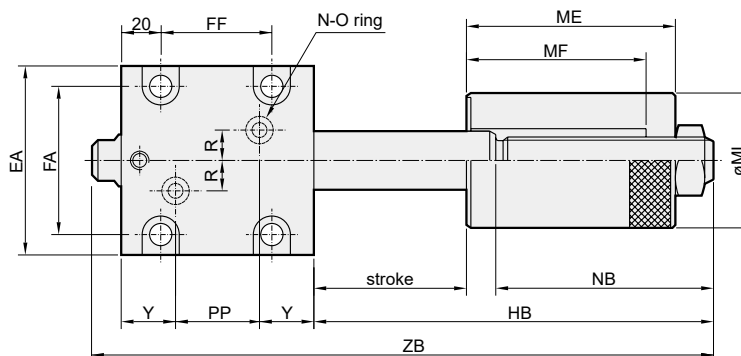
Code Tube I.D.	C	CL	D	EA	EB	FA	H	J	JH	K	KA	KL	KT	KW	LH
$\varnothing 32$	10	7	20	70	56	56	9	M12×1.75	15	9	38	63	8	12	25
$\varnothing 40$	10	7	25	80	64	62	11	M16×2.0	20	11	38	70	8	12	29
$\varnothing 50$	11	8	30	94	74	74	13	M20×2.5	25	13	40	80	9	14	34
$\varnothing 63$	13	10	35	114	89	90	15	M27×3.0	35	15	42	100	10	16	42

Code Tube I.D.	M	MI	MA	MB	N	NA	O	OL	R	SW	U	Y
$\varnothing 32$	14	45	46	36	P9	49	M16×1.5	25	10	17	4.5	28
$\varnothing 40$	18	55	54	36	P9	58	M22×1.5	30	10	22	4.5	28
$\varnothing 50$	20	60	53	37	P11	59	M26×1.5	35	10	27	5	29.5
$\varnothing 63$	22	75	63	39	P11	65	M30×1.5	40	10	32	5.5	31

* Stroke: 5, 10mm without keyway.

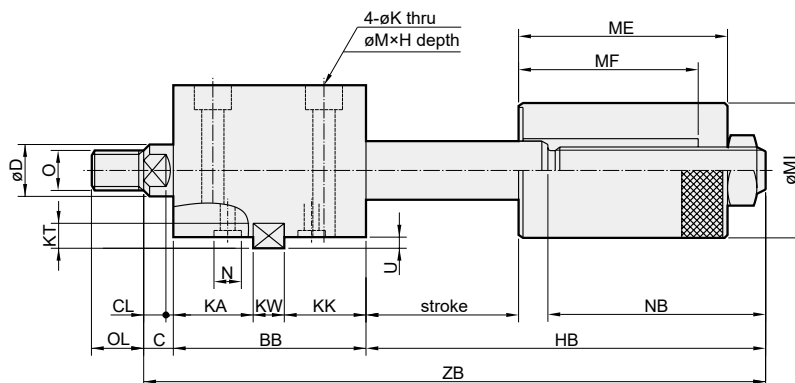
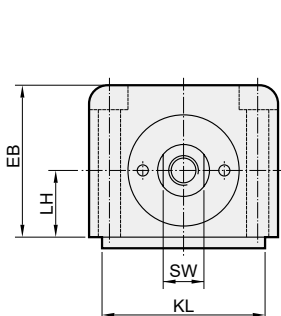
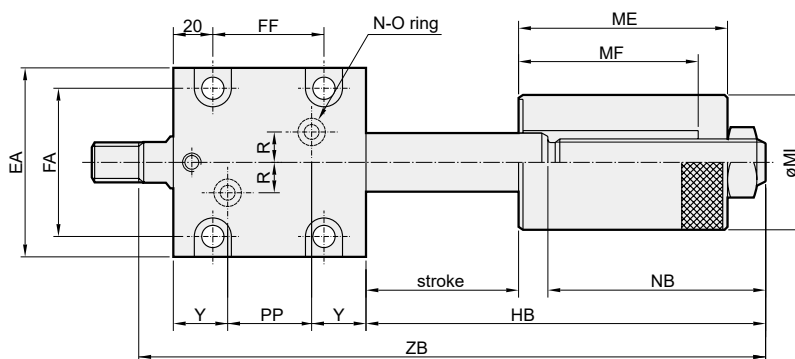
MHCBS-DB

Adjustable stroke 50 mm



MHCBS-ZDB

Adjustable stroke 50 mm



Tube I.D. (mm)	Type	MHCBS-DB / MHCBS-ZDB									
		Stroke	5	10	15	20	25	30	35	40	45
ø32	ZB	178	183	198	203	218	223	238	243	258	263
	BB	79	79	89	89	99	99	109	109	119	119
	FF	42	42	52	52	62	62	72	72	82	82
	KK	—	—	39	39	49	49	59	59	69	69
	PP	23	23	33	33	43	43	53	53	63	63
	HB	89	94	99	104	109	114	119	124	129	134
ø40	ZB	188	193	208	213	228	233	248	253	268	273
	BB	80	80	90	90	100	100	110	110	120	120
	FF	42	42	52	52	62	62	72	72	82	82
	KK	—	—	40	40	50	50	60	60	70	70
	PP	24	24	34	34	44	44	54	54	64	64
	HB	98	103	108	113	118	123	128	133	138	143
ø50	ZB	196	201	216	221	236	241	256	261	276	281
	BB	85	85	95	95	105	105	115	115	125	125
	FF	45	45	55	55	65	65	75	75	85	85
	KK	—	—	41	41	51	51	61	61	71	71
	PP	26	26	36	36	46	46	56	56	66	66
	HB	100	105	110	115	120	125	130	135	140	145
ø63	ZB	213	218	233	238	253	258	273	278	293	298
	BB	92	92	102	102	112	112	122	122	132	132
	FF	52	52	62	62	72	72	82	82	92	92
	KK	—	—	44	44	54	54	64	64	74	74
	PP	30	30	40	40	50	50	60	60	70	70
	HB	108	113	118	123	128	133	138	143	148	153

Code Tube I.D.	C	CL	D	EA	EB	FA	H	J	JH	K	KA	KL	KT	KW	LH
ø32	10	7	20	70	56	56	9	M12×1.75	15	9	38	63	8	12	25
ø40	10	7	25	80	64	62	11	M16×2.0	20	11	38	70	8	12	29
ø50	11	8	30	94	74	74	13	M20×2.5	25	13	40	80	9	14	34
ø63	13	10	35	114	89	90	15	M27×3.0	35	15	42	100	10	16	42

Code Tube I.D.	M	MI	ME	MF	N	NB	O	OL	R	SW	U	Y
ø32	14	45	71	61	P9	74	M16×1.5	25	10	17	4.5	28
ø40	18	55	79	61	P9	83	M22×1.5	30	10	22	4.5	28
ø50	20	60	78	62	P11	84	M26×1.5	35	10	27	5	29.5
ø63	22	75	88	64	P11	90	M30×1.5	40	10	32	5.5	31

* Stroke: 5, 10mm without keyway.