



### Specification

Model	MSAR		
Tube I.D. (mm)	ø32	ø50	ø80
Stroke (mm)	30		
Acting type	Single acting (Spring extended)		
	Stopper with roller		
Medium	Air		
Operating pressure range	0.2~1 MPa		
Proof pressure	1.5 MPa		
Ambient temperature	-5~+60°C (No freezing)		
Lubrication	Not required		
Cushion	With rubber cushion pad		
Magnet	Without magnet		
Weight	1350 g	2150 g	9000 g

\* A speed controller is required. Please refer to page 8-15~17 (Vol.1).

### Order example

**MSAR — 32 — 30 — G**

MODEL

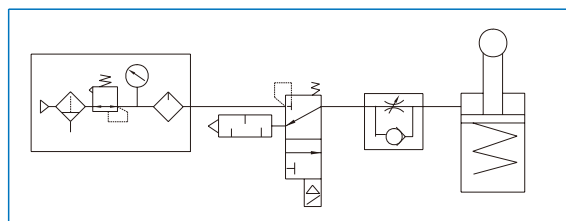
TUBE I.D.  
(mm)

STROKE  
(mm)

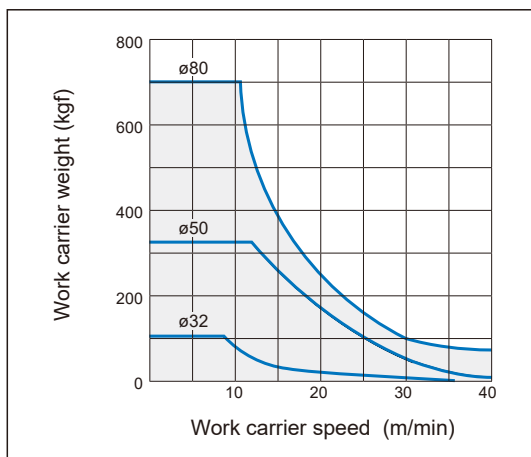
PORT THREAD  
Blank: Rc thread  
G: G thread  
NPT: NPT thread

### Piping diagram

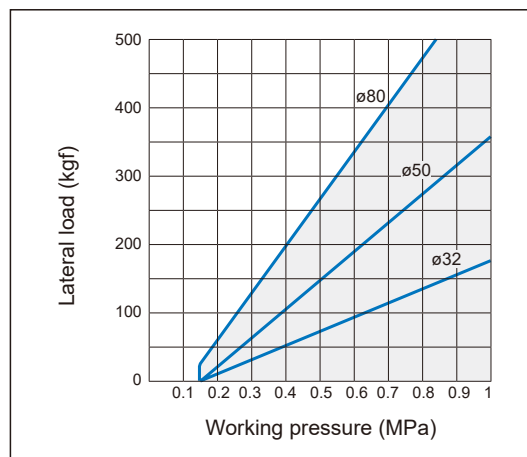
Single acting



### MSAR Capacity

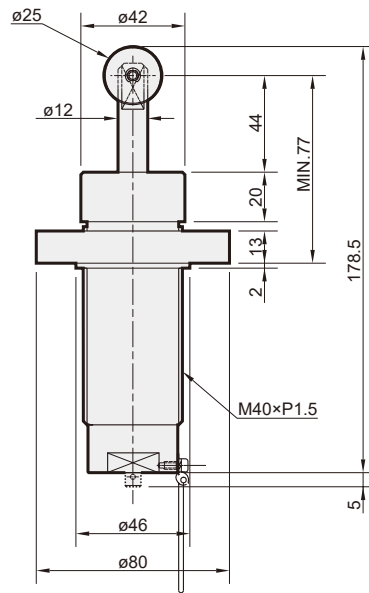
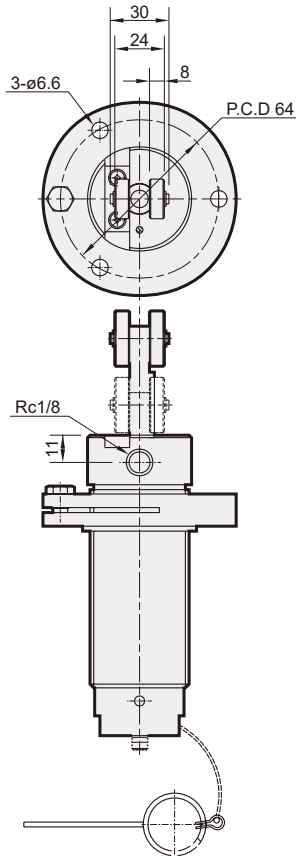


### MSAR Normal lateral load

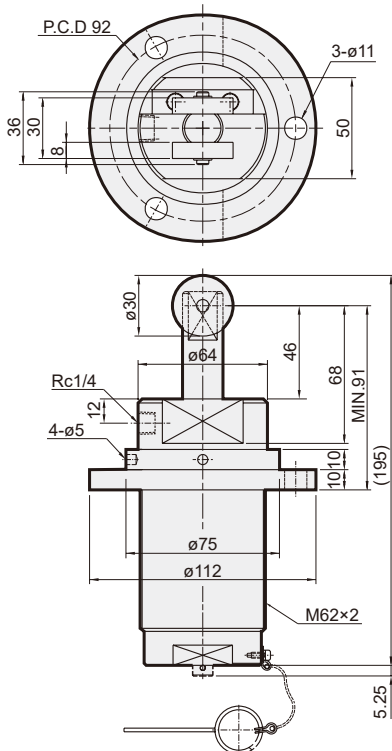


STOPPER CYLINDER

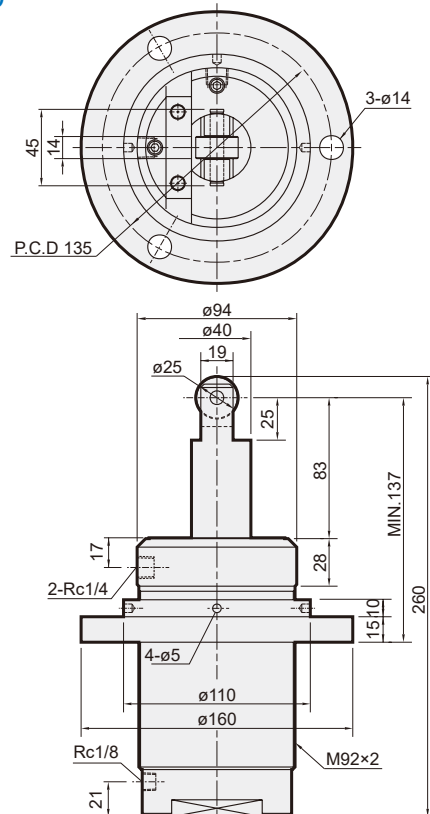
$\phi 32-30$



$\phi 50-30$



$\phi 80-30$



\* Roller is made of stainless steel.