

MUT series

3/2 WAY N.C., N.O. PLUNGER TYPE SOLENOID VALVE



Selection table



Seal material



Caution for safety
(Read before installing)



Specification

- IP65 waterproof coil.
- Continuous cycle, 100% ED.
- Ex coil is EExm II T4 or EEx ia II C T6 PTB approval.
- Response time: ON 5~20ms, OFF 10~40ms.

Power consumption

Coil power	2	3	2E	4	5	3E
AC (VA)	6.9	8.0	5.3	19.5	23.0	9.2
DC (W)	6.0	6.8	5.2	15.0	18.5	10.0

Dimensions

Model	MUT			
Code Dimension (mm)	03	06	08	10
C	48		65	
D	14		22	
E	25		29	
G	51		57	
H	69		87	
L	46		51	
M	M3		M4	
W	32		39	
N.W (kg)	2, 4	0.33	0.5	
	3, 5	0.31	0.6	
	2E, 3E	0.58	0.8	

Order example

MUT - 10 - 2 - 3 - □ - AC110 - □

MODEL

CODE

FIG.

COIL

VOLTAGE

PORT THREAD

03: 1/8
06: 1/4
08: 1/4
10: 3/8

1
2
3
4

2, 3, 2E
4, 5, 3E
(*)

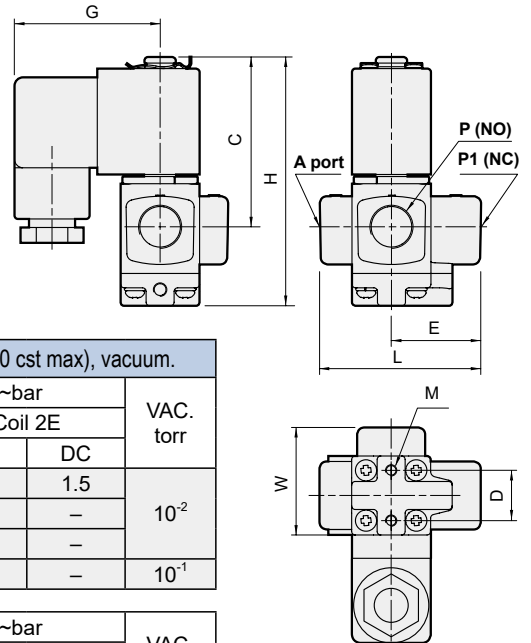
PLUG

AC220V(50/60)Hz
AC110V(50/60)Hz
DC24V

Blank: Rc thread
G: G thread
NPT: NPT thread

* Explosion-Proof (2E/3E) coil with LED (D) plug is not applicable.

Blank: DIN
D: LED
G: 1/2" NPT
Y: 2 wires (only for coil #2)



Specification

Model MUT: Forged brass body, 3/2 way N.C., N.O., for water, air, gas, light oil, heavy oil (120 cst max), vacuum.

Code (Port)	Fig. no.	Seal mat'l	Coil	Orifice mm	Mat'l Temp. °C V	Working pressure 0~bar				VAC. torr		
						Coil 2		Coil 2E				
						AC	DC	AC	DC			
03(1/8) 06(1/4)	1	V*	2 3 2E	1.0	-5~95	6	6	5.5	1.5	10 ⁻²		
	2			5		5	4.5	-				
	3			2.5		2	2	-				
	4			1.5		0.7	1.5	-	10 ⁻¹			
08(1/4) 10(3/8)	1 2 3 4	V*	4 5 3E	1.3 1.6 2.0 2.5	-5~95	Coil 4		Coil 5		Coil 3E		10 ⁻²
						AC/DC	AC/DC	AC	DC			
						10	14	8	7			
						7	12	7	4			
						6	10	5	2			
5	8	5	1.5	10 ⁻¹								

* V: Viton (FKM)