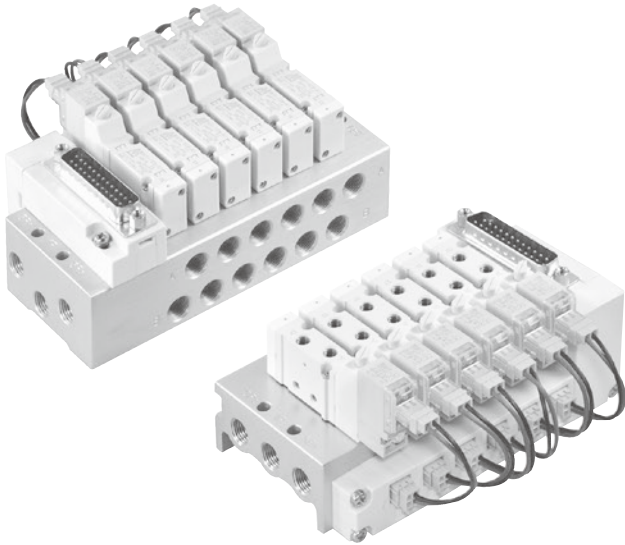


MVB-100 series

MULTI CONNECTOR SYSTEM

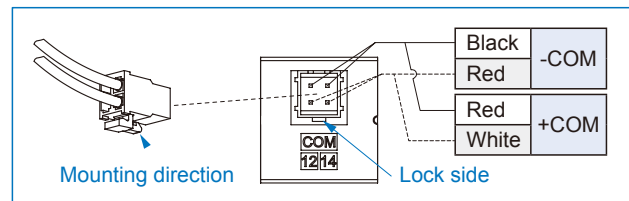


Specification

- 25-Pin D-sub connector.
- Simple electric wire system.
- Max. operating frequency: 5Hz.

Remark

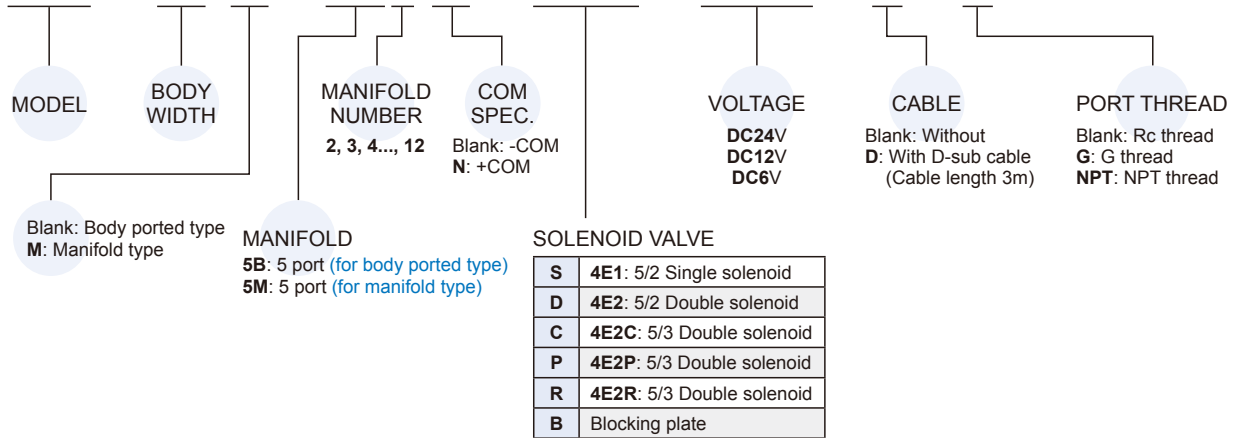
- Don't continuously energize for over 2 hours.
- The total energizing time of a day is not allowed to exceed the total non-energizing time even if it is intermittent energizing.
- Maximum stations
4E1: 12 stations
4E2 & 4EC.P.R: 11 stations
- For MVSY-100 series solenoid valve only (Only with LJ plug type).



- * PLC type (PNP output) is applied to -COM.
- * PLC type (NPN output) is applied to +COM

Order example (Multi connector system)

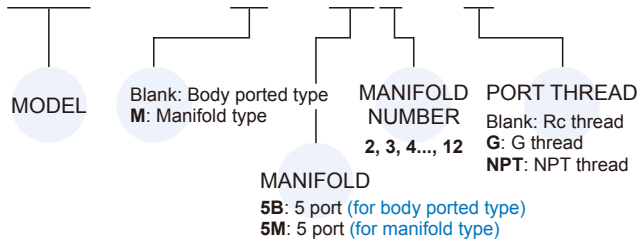
MVB – 100M – 5M4 □ – SSSDC – DC24 – D – G



* Valves are assembled from the D-sub side.

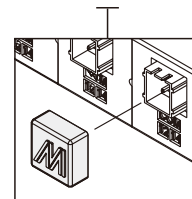
Order example of circuit board and manifold

MVB – 100M – 5B3 – G



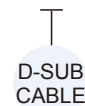
Order example of protective plate

MVB – 100 – P



Order example of cable

MVB – 100 – D



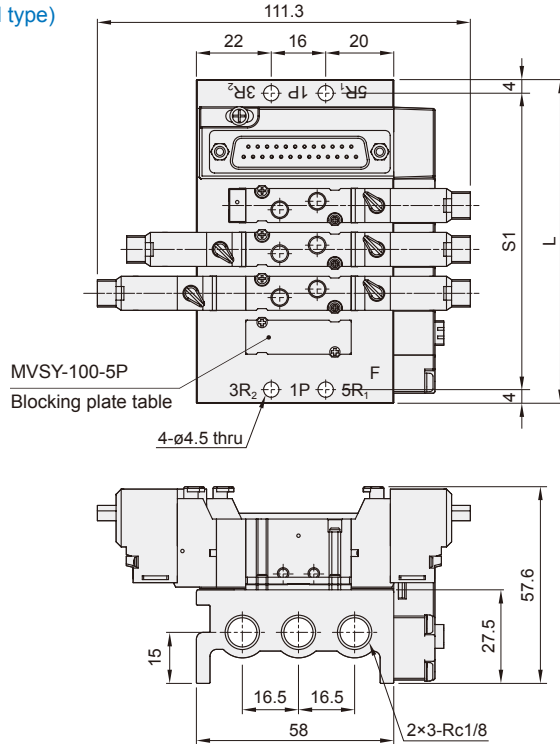
MVB-100 Dimensions

MULTI CONNECTOR SYSTEM



MVB-100-5B*

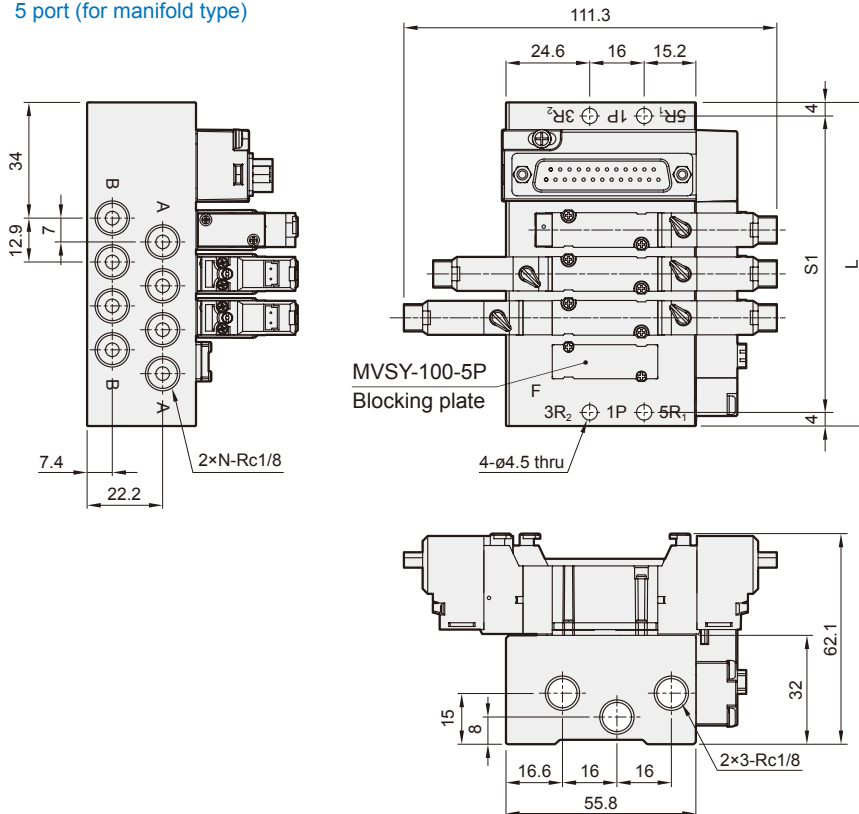
5 port (for body ported type)



| No. of stations | L | S1 |
|-----------------|-------|-------|
| 2 | 69.3 | 61.3 |
| 3 | 82.2 | 74.2 |
| 4 | 95.1 | 87.1 |
| 5 | 108 | 100 |
| 6 | 120.9 | 112.9 |
| 7 | 133.8 | 125.8 |
| 8 | 146.7 | 138.7 |
| 9 | 159.6 | 151.6 |
| 10 | 172.5 | 164.5 |
| 11 | 185.4 | 177.4 |
| 12 | 198.3 | 190.3 |

MVB-100M-5M*

5 port (for manifold type)



| No. of stations (N) | L | S1 |
|---------------------|-------|-------|
| 2 | 69.3 | 61.3 |
| 3 | 82.2 | 74.2 |
| 4 | 95.1 | 87.1 |
| 5 | 108 | 100 |
| 6 | 120.9 | 112.9 |
| 7 | 133.8 | 125.8 |
| 8 | 146.7 | 138.7 |
| 9 | 159.6 | 151.6 |
| 10 | 172.5 | 164.5 |
| 11 | 185.4 | 177.4 |
| 12 | 198.3 | 190.3 |

MVB-100 / 156 Order example of wire



MULTI CONNECTOR SYSTEM

mindman

Order example of wire * MVB-100, MVB1-100 and MVB-156 use the same accessories.

MVB — 100 — — WDE1

MODEL

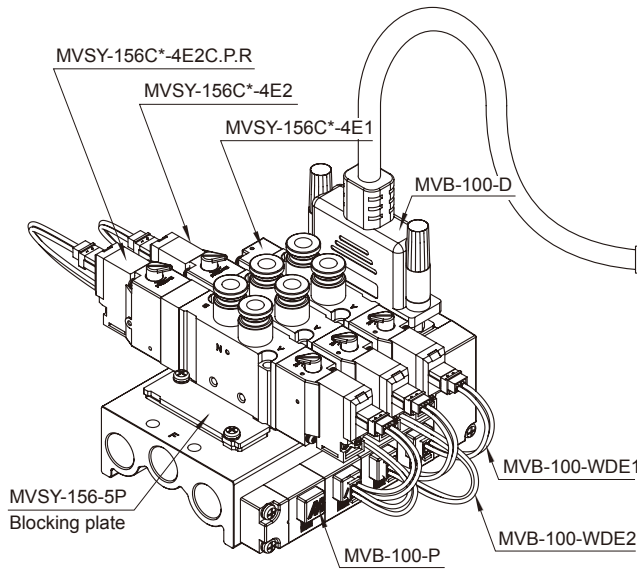
COM SPEC.

Blank: -COM
N: +COM

WIRE TYPE

E1: for 4E1 valves
E2: for 4E2 valves

25 PIN



- D-01
- D-02
- D-03
- D-04
- D-05
- D-06
- D-07
- D-08
- D-09
- D-10
- D-11
- D-12
- D-13
- D-14
- D-15
- D-16
- D-17
- D-18
- D-19
- D-20
- D-21
- D-22
- D-23
- COM
- COM

| Wire color | Pin No. | Coil No. |
|--------------------|---------|----------|
| Brown | 1 | D-01 |
| Purple / white | 14 | D-02 |
| Brown / white | 2 | D-03 |
| Gray | 15 | D-04 |
| Red | 3 | D-05 |
| Gray / black | 16 | D-06 |
| Red / black | 4 | D-07 |
| White | 17 | D-08 |
| Orange | 5 | D-09 |
| White / black | 18 | D-10 |
| Orange / black | 6 | D-11 |
| Pink | 19 | D-12 |
| Yellow | 7 | D-13 |
| Pink / black | 20 | D-14 |
| Yellow / black | 8 | D-15 |
| White / red | 21 | D-16 |
| Green | 9 | D-17 |
| White / blue | 22 | D-18 |
| Green / black | 10 | D-19 |
| Light blue | 23 | D-20 |
| Blue | 11 | D-21 |
| Light blue / black | 24 | D-22 |
| Blue / white | 12 | D-23 |
| Purple | 13 | COM |
| Light green | 25 | COM |

MVB-100-WDE1

MVB-100-WDE2

