

MVHB-500 series

HAND LEVER VALVE



Mindman



Technical data



Caution for safety
(Read before installing)



Specification

Model	MVHB-500(V)-4TV	MVHB-500(V)-4TV*
	MVHB-500(V)-4TV-SP	MVHB-500(V)-4TV*-SP
Bore No.	15A	
Port size	1/2	
No. of port	5	
No. of position	2	3
Medium	Air	
Operating pressure range	0~1.2 MPa	
Effective orifice	41 mm ²	
Ambient temperature	-5~+60°C (No freezing)	
Weight	519 g	560 g

Order example

MVHB - 500V - 4TVC - SP - □ - G

MODEL

BODY WIDTH

4: 4way (5 port)

VALVE TYPE

Blank: 5/2

C: Closed center (5/3)

P: Pressure center(5/3)

R: Exhaust center (5/3)

DUST COVER MATERIAL

*1,2
Blank: NBR
E: EPDM

PORT THREAD

Blank: Rc thread
G: G thread
NPT: NPT thread

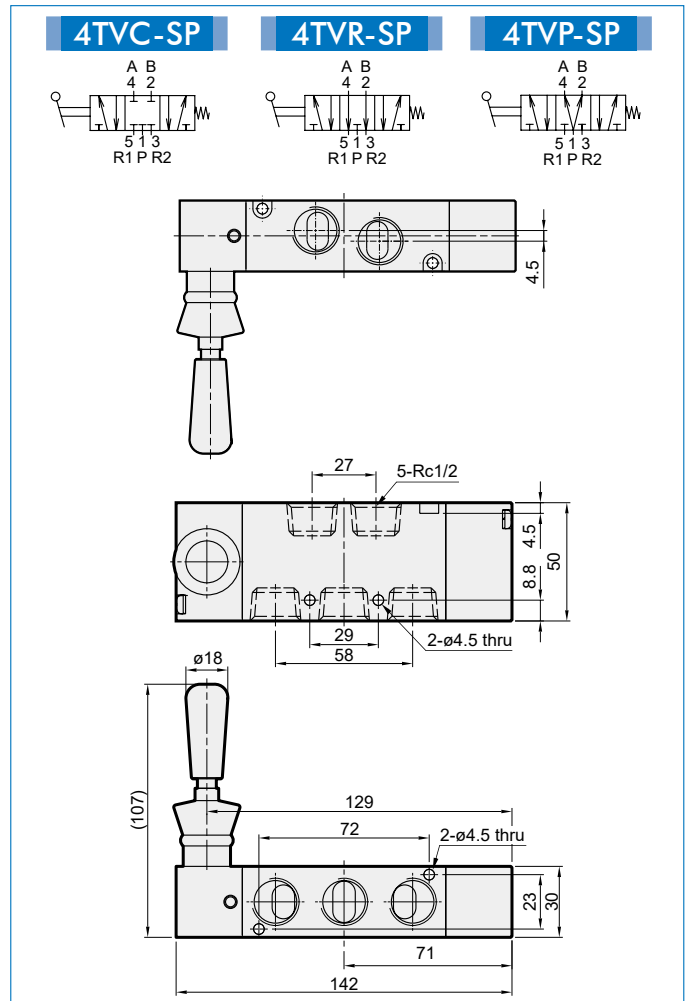
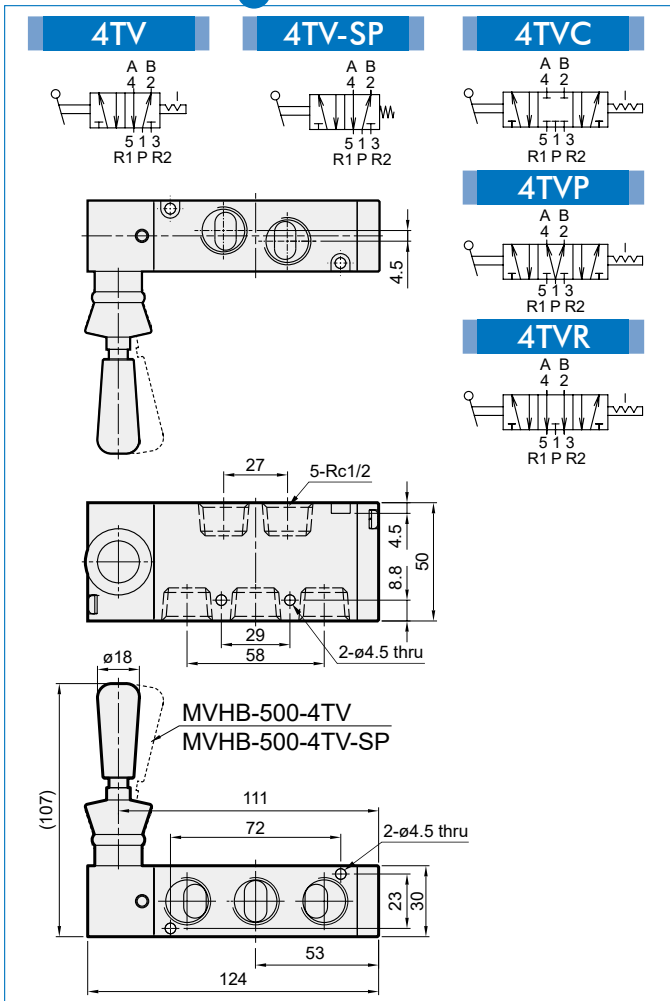
*1. NBR: Good oil resistance and abrasion resistance, not suitable for using in polar solvents.

EPDM: Excellent water resistance and chemical resistance, not suitable for using oil place.

*2. Suitability of material

Blank: Standard type
V: Vertical type

* Vertical type can be used with MVSE-500 manifold



MVHB-500 Dimensions – Vertical type

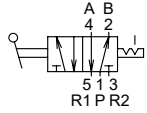


HAND LEVER VALVE

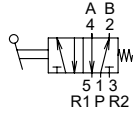
mindman

V

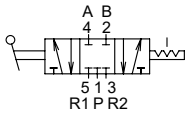
4TV



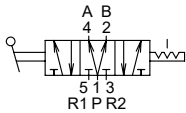
4TV-SP



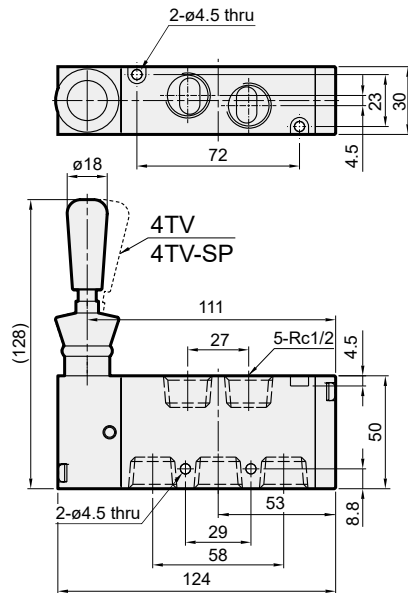
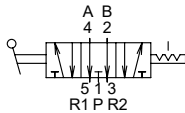
4TVC



4TVP

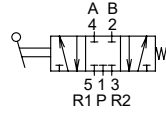


4TVR

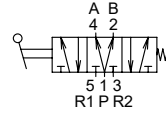


V

4TVC-SP



4TVP-SP



4TVR-SP

