

# MVSD2-180 series

## SOLENOID VALVE



mindman



Selection table



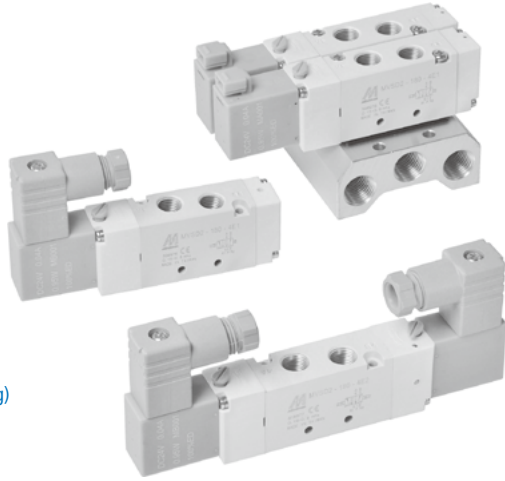
Blocking plate



Technical data



Caution for safety  
(Read before installing)

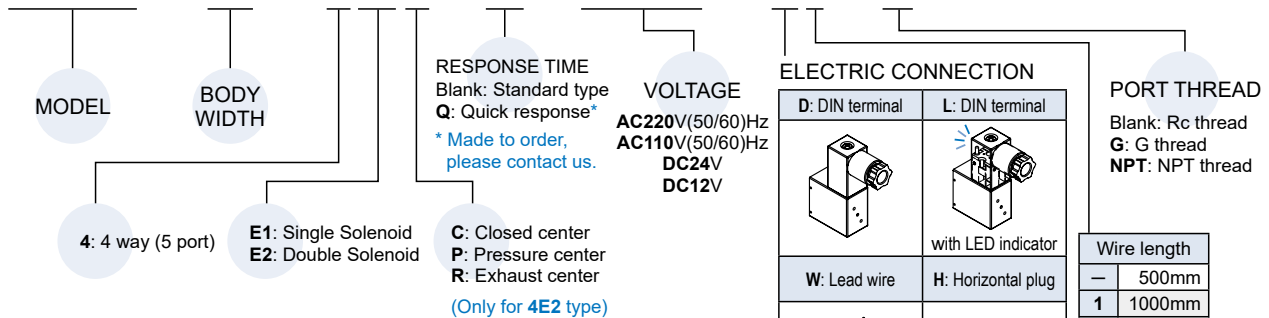


### Specification

Model		4E1	4E2	4E2 C.P.R
Bore No.		6A		
Port size		1/8		
No. of port / position		5 / 2		5 / 3
Medium		Air		
Operating perssure range		0.15~0.8 MPa		0.2~0.7 MPa
Proof pressure		1 MPa		
Effective orifice		12 mm <sup>2</sup>		9 mm <sup>2</sup>
Response time	Standard	AC<35 ms, DC<25 ms		AC<45ms, DC<30ms
	Quick response*	AC<31 ms, DC<20 ms		AC<41ms, DC<25ms
Power consumption	Standard	AC=1.12VA, DC=0.95W		
	Quick response*	AC=2.5VA, DC=2.5W		
Ambient temperature		-5~+50°C (No freezing)		
Voltage		AC110V, 220V (50/60)Hz, DC24/12V		
Available voltage range		±10%		
Insulation class		F class		
Weight		94 g	129 g	143 g

### Order example of valve

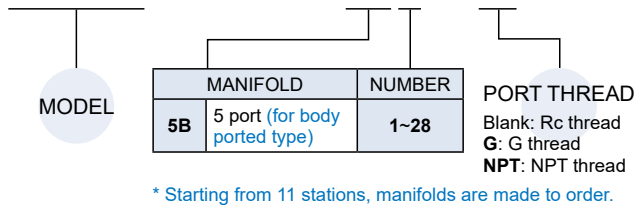
MVSD2 — 180 — 4E2C — □ — AC110 — H1 — G



\* For quick response type, it cannot be energized for more than 30 minutes.

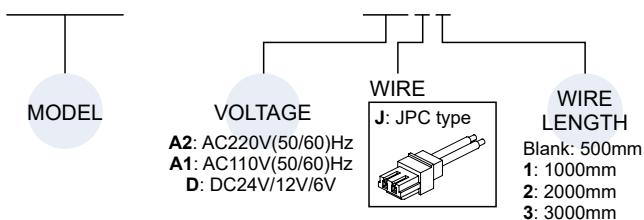
### Order example of manifold \* Use the same manifold with MVSD1.

MVSD1 — 180 — 5B3 — G



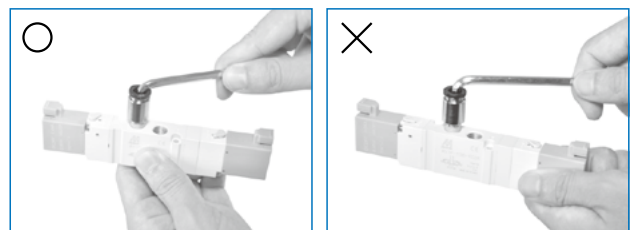
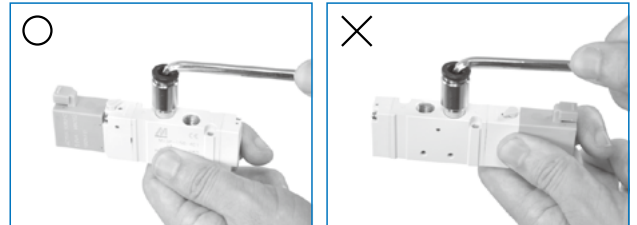
### Order example of wire \* Use the same wire with MVDY. \* Only for "H: Horizontal plug".

MVDY — 100 — WA2J2



### Caution

Prohibit apply force to coil when tighten the tube fitting.

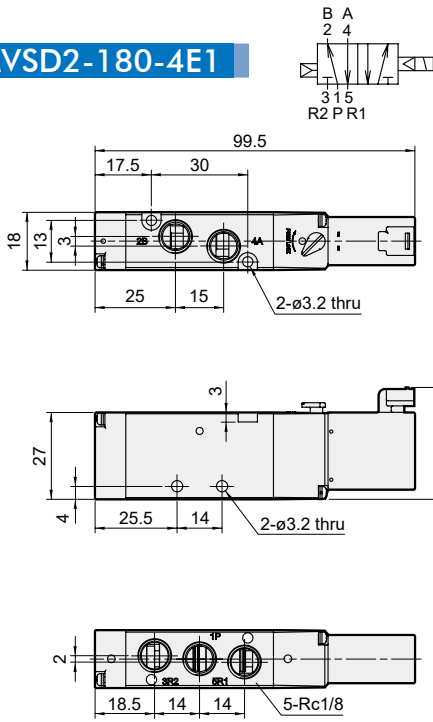


# MVSD2-180 Dimensions

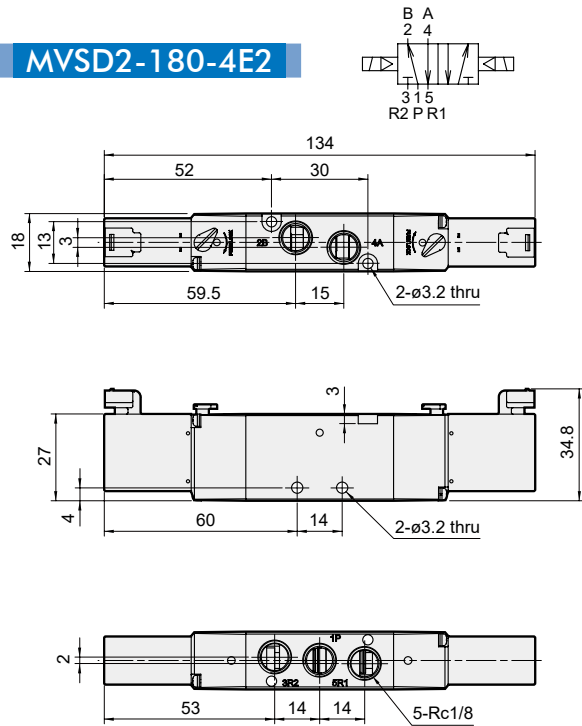
## SOLENOID VALVE



### MVSD2-180-4E1

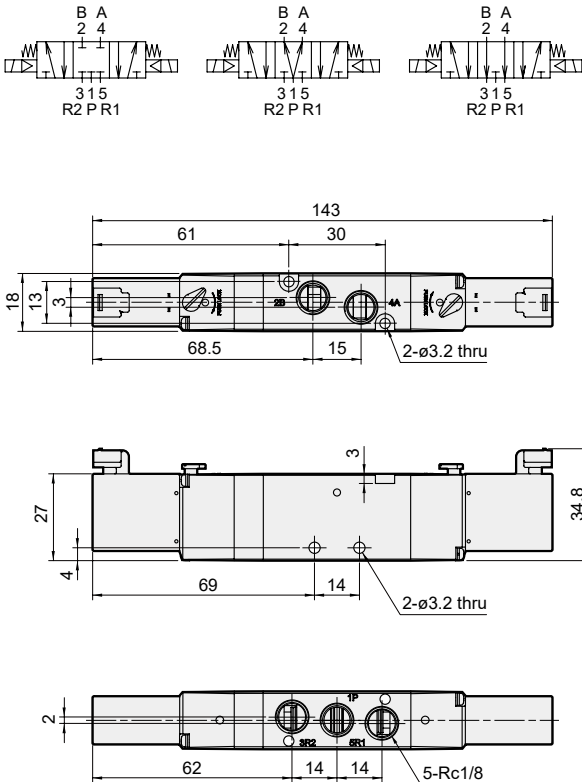


### MVSD2-180-4E2

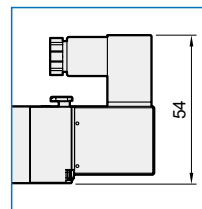


### MVSD2-180-4E2C.P.R

MVSD2-180-4E2C    MVSD2-180-4E2P    MVSD2-180-4E2R

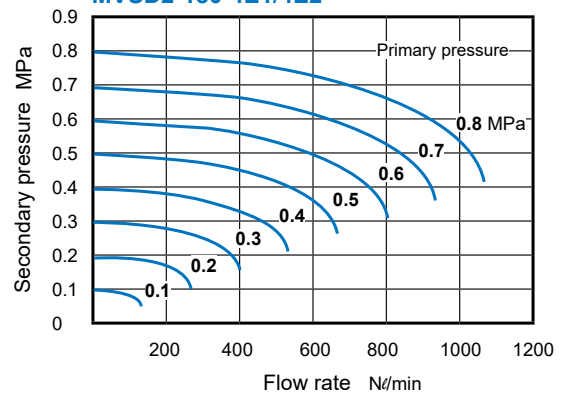


DIN terminal /  
DIN terminal with LED indicator



### Flow features

#### MVSD2-180-4E1/4E2



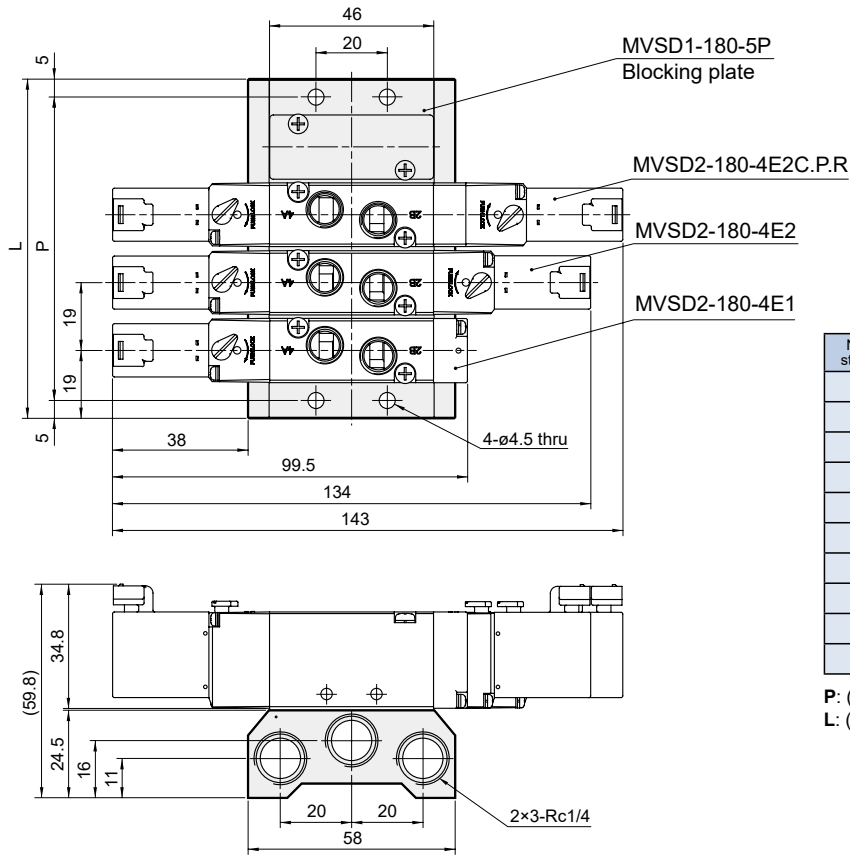
# MVSD2-180 Manifold

SOLENOID VALVE



## MVSD1-180-5B\*

5 port (for body ported type)



No. of stations	P	L
1	28	38
2	47	57
3	66	76
4	85	95
5	104	114
6	123	133
7	142	152
8	161	171
9	180	190
10	199	209

P: (No. of stations-1)×19+28  
L: (No. of stations-1)×19+38