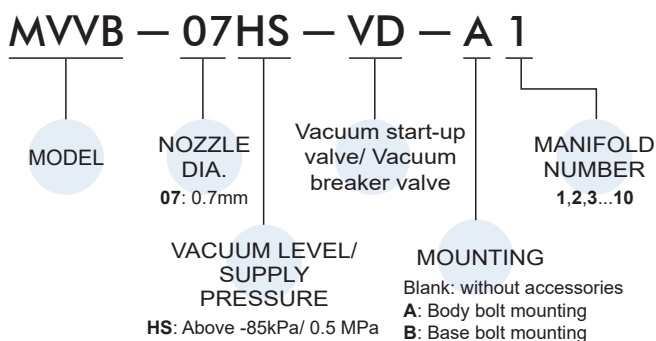


Symbol

Specification

Model	MVVB
Nozzle dia.	0.7 mm
Port size	Rc1/8
Medium	Air
Operating pressure range	0.1~0.6 MPa
Ambient temperature	0~+60°C (No freezing)
Final vacuum	-90 kPa (-675 mmHg)
Suction flow	9 L/min
Air consumption	23 L/min
Supply pressure	0.5 MPa
Lubrication	Not required
Weight	A: 247 g (without base) B: 289 g (with base)

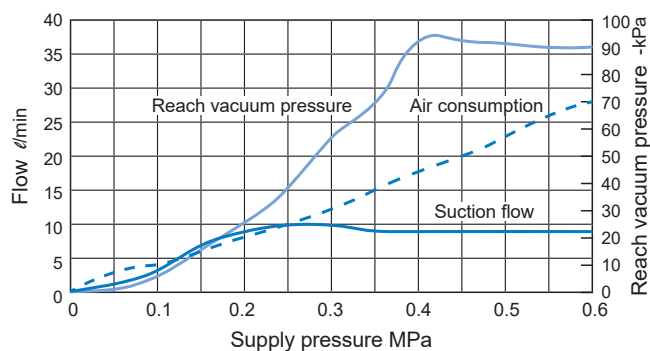
### Order example

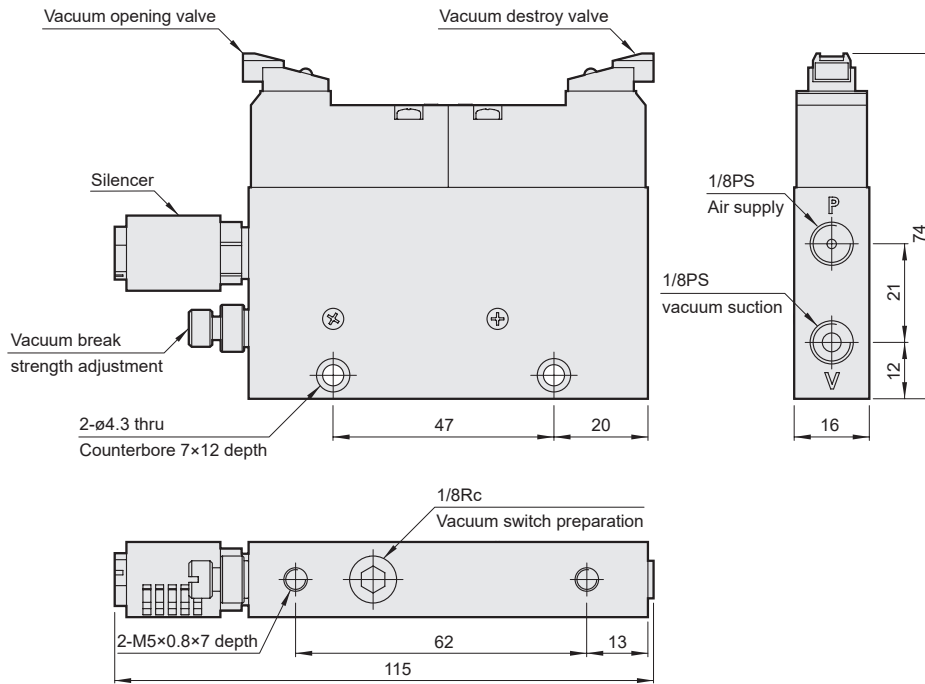


### Specification of solenoid valve

Voltage	DC24V
Power consumption	2.5 W
Allowable Voltage Variation	±10%
Acting type	Normally closed (N.C.)
Insulation class	F class
manual operation	Push type (no lock)
Display	LED
Wire	300 mm (plug with wire)

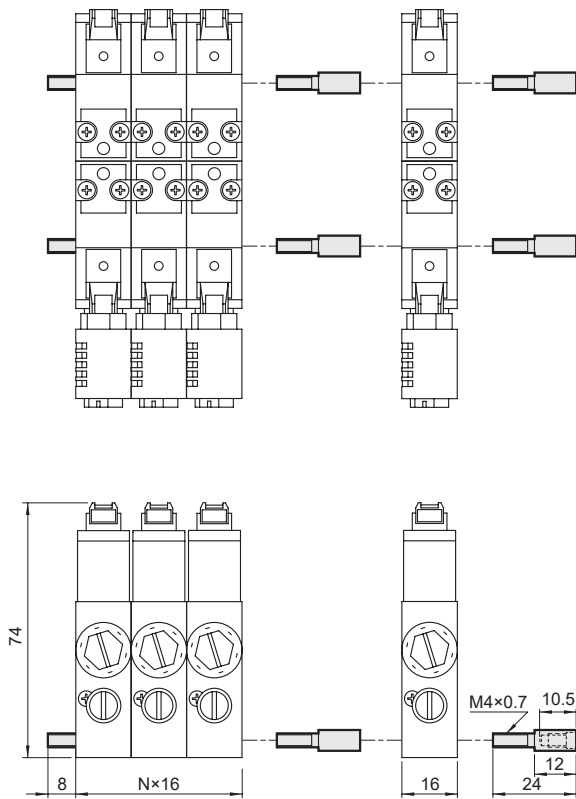
### Flow features





### MVVB-A

Body bolt mounting



\* N: Manifold number

### MVVB-B

Base bolt mounting

