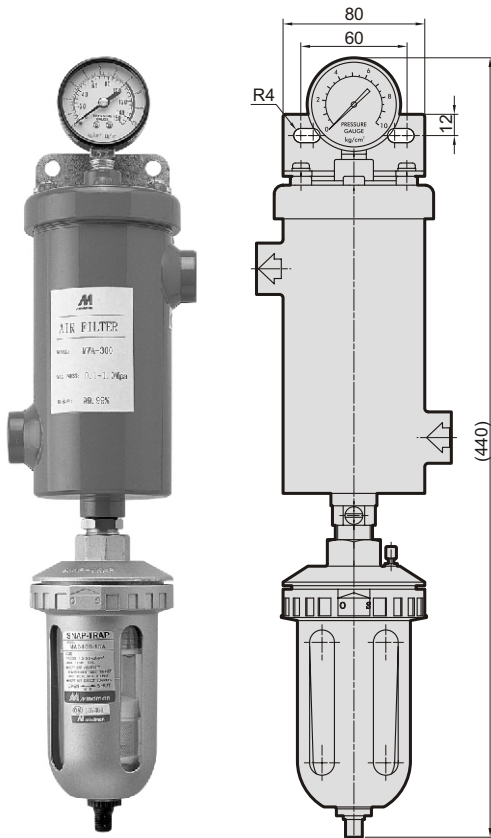


As much as 99.9% of water is removed from the inside of air tubes by our own special collision separation technique.



Features

No filter

- Guaranteed high performance since MWA-300 uses no filter or any other wearing parts.

No maintenance

- Economical to use as no replacement filters need to be purchased.

No power supply

- Simple installation as electrical supply not required.

Compact design

- Can be fitted into confined space to its size.

No CFCS

- Environmentally friendly since no ozone gases used.

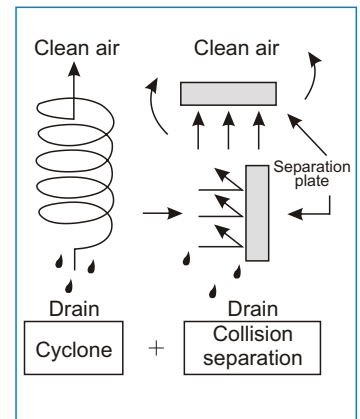
Large operating band

- Accommodates a wide range of pressures: 0.1~1.02 MPa.

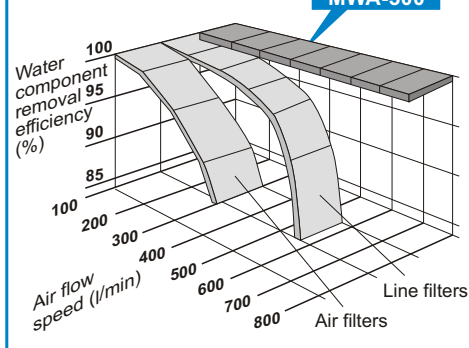
Specification

Model	Volume		Weight	Operating pressure	Bore size
	Length	Diameter			
MWA-300	345mm	90mm	1570g	1 MPa	1/2" PS

MWA-300 is a revolutionary air compression cleaner that uses absolutely no filters or other components. Our own proprietary collision separation technique (patented) enables MWA-300 to remove as much as 99.9% of the water content from air passing through it. Such stellar performance ensures that the air passing through pipes is always clean, dramatically reducing any rusting or build-up of grease on the pipes' inner walls. This is even possible with MWA-300 compact size and affordable cost. MWA-300 has arrived with a unique new standard that promises to herald a real Air Revolution and wipe clean the water problems that other compressed air systems still leave behind.



Comparison of performance in water separation



Installation

- MWA-300 doesn't reduce humidity.
- Since water condensation occurs when there are temperature differences between the air outside the pipe and air passing through the pipe from the compressor, MWA-300 should be installed near the machines driven by compressed air.
- MWA-300 should be installed vertically.