



Selection table



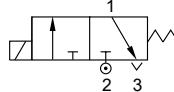
Seal material



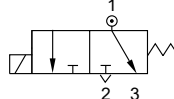
Caution for safety
(Read before installing)



3/2 Function 1



3/2 Function 2



Specification

- IP65 100% ED coil.
- PTB approval EExm II T4 coil.

Power consumption

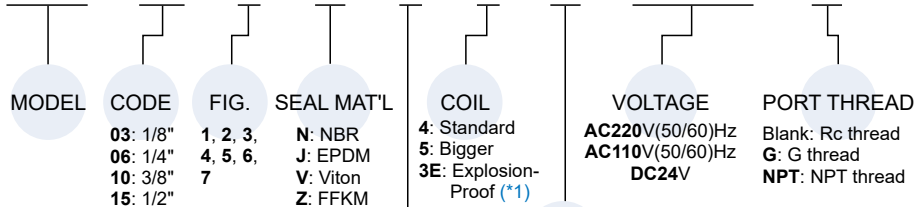
Coil power	4	5	3E
AC (VA)	18	24.0	8.6
DC (W)	15	18.5	10.0

Dimensions

Model	MZT				
	Code	03	06	10	15
Code Dimension (mm)					
L		41		51.5	
W	Coil 4		32		
	Coil 5		36		
	Coil 3E		36		
H		74.5		80.5	
C		66		68	
D		16		19	
M		M3×0.5		M4×0.7	
N.W (kg)	Coil 4	0.37	0.36	0.45	0.43
	Coil 5	0.45	0.44	0.53	0.51
	Coil 3E	0.70	0.69	0.78	0.76

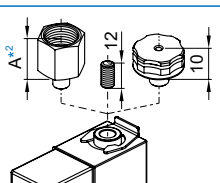
Order example

MZT-06-2-N-C-5-D-AC110-□



EXHAUST ACCESSORIES

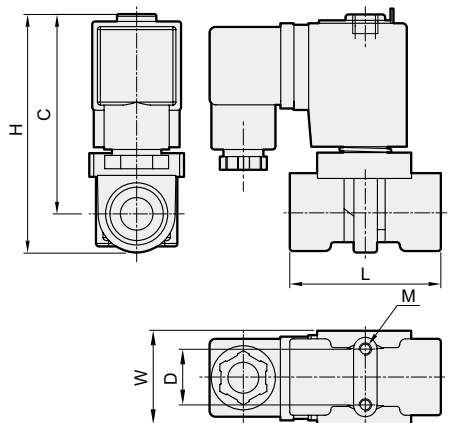
U	-	Without
F		PS female
C		Dust-proof & silencer cap
P		1/8" PS male



PLUG
Blank: DIN
D: LED
G: 1/2" NPT

*1. Explosion-Proof (3E) coil with LED (D) plug is not applicable.

Code	03	06	10	15
A	19	20	22	-



Model MZT: Forged brass body, 3/2 way N.C., for water, air, gas, vacuum, light oil (50cst down) etc.

Code (Port)	Fig. no.	Seal mat'l	Coil	Orifice mm		Temp. °C						Max. O.P.D bar (Min. 0 bar)						CV	VAC. torr		
				Body	Top	Coil 4, 3E			Coil 5			Coil 4		Coil 5		Coil 3E					
						N	JV	Z	N	JV	Z	1	2	1	2	1	2				
				AC/DC, Functon																	
03(1/8)	1	N J V Z	4 5 3E	1.3	1.6							9	2	12	8	10	0.05	10 ⁻²			
	2			1.6						7	10	8.5	12	6	10	0.10					
	3			2.0	2.0						5.5	8	7	10	5	8	0.15				
06(1/4)	4			2.5	2.5	~	~	~	~	~	~	~	~	4	6.5	5.5	8		3	6.5	0.20
	5			3.0		80	145	160	80	145	185	2.5		4		2				0.31	
10(3/8)	6			4.0	3.0									1.5	4.5	2.5	5.5		1.5	4.5	0.51
	7			5.0									1		1.5		0.8				0.65