



Antispatter Tube Cover Peeler

Cover Stripping Cutter for Antispatter Tubing



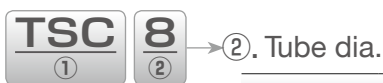
- Peeling only the flame retardant cover like sharpening a pencil appropriate for the tube inserting length of Pisco's anti-spatter products.

■ Anti-spatter products

Push-in fitting		Speed controller		Flow controller
Tube Fitting Spatter	Tube Fitting Brass	Speed Controller Spatter	Speed Controller Brass	Throttle (Needle) Valve Brass

- No damage to the inner tube.
- The translucent body case enables to check cutting progress easily.

Model Designation (Example)



Code	4	6	8	10	12
Tubing Dia.	ø4	ø6	ø8	ø10	ø12
Applicable tube model	FB0425	FB0640	FB0860	FB1075	FB1290

①. Antispatter Tube Cover Peeler

Detailed Safety Instruction

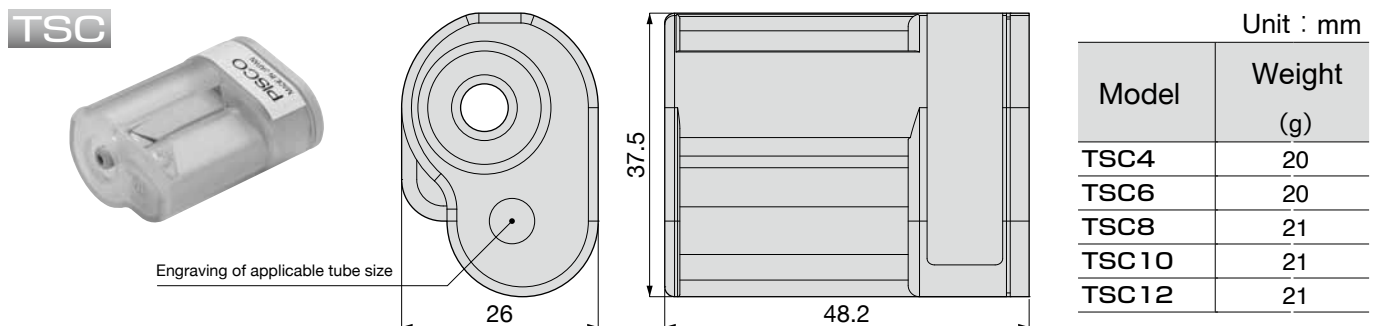
⚠ Warnings

1. A blade is equipped inside. Please stop using this product immediately when a crack, a fracture, or a chipping is found on the resin part to prevent an injury.
2. Do not dismantle or remodel the product in ways which affect the basic structure, performance or function of the product. It may damage the product itself and cause an injury.
3. Avoid putting load on the product such as pulling, twisting, or bending. It may damage the product itself and cause an injury.

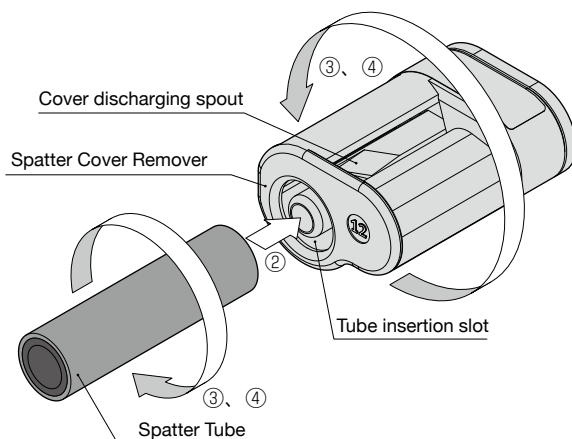
⚠ Cautions

1. The peeler is designated for PISCO Antispatter Tube (flame-retardant tube). Do not use it for other purposes except for peeling the cover of Antispatter Tube.
2. When using for an excessively bent or crushed tube, the product may not be able to deliver its performance.
3. If the peeler is used with the cover discharging spout blocked, the stripped cover piece may get clogged inside the peeler.

Outline Dimensional Drawing



How to use the Cutter



- ① When cutting an antispatter tube, make sure to form the cut surface of the tube orthogonally.
- ② Inert an antispatter tube to the tube insertion slot until it touches the blade.
- ③ Insert the antispatter tube further with rotating the tube or the Antispatter Tube Cover Peeler clockwise until the tubing edge reaches the end in the peeler.
- ④ Keep rotating an antispatter tube or the cover peeler until the cover gets stripped completely, and then take out the tube from the Antispatter Tube Cover Peeler.
 - Rotate either the tube or the cover peeler which is easier to rotate.